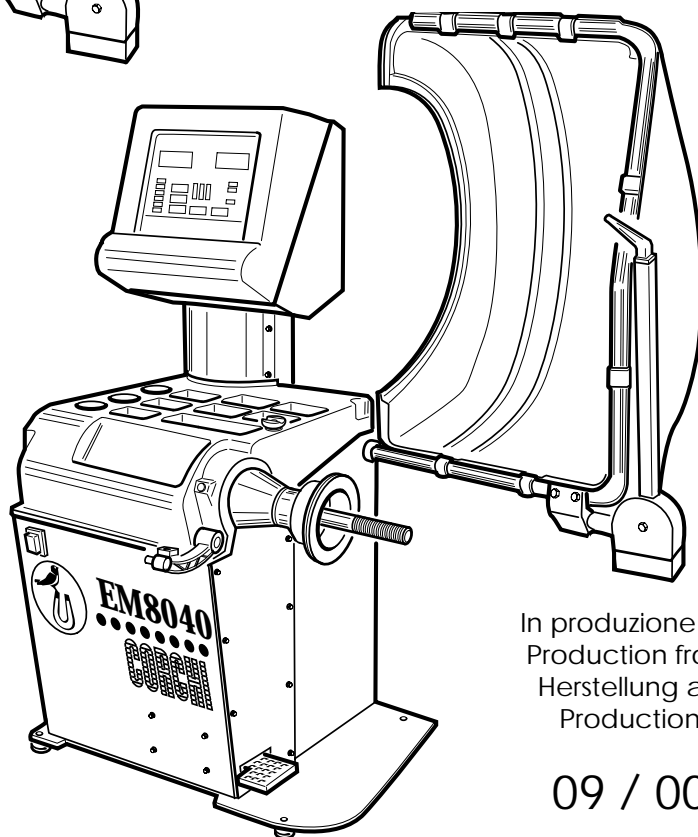
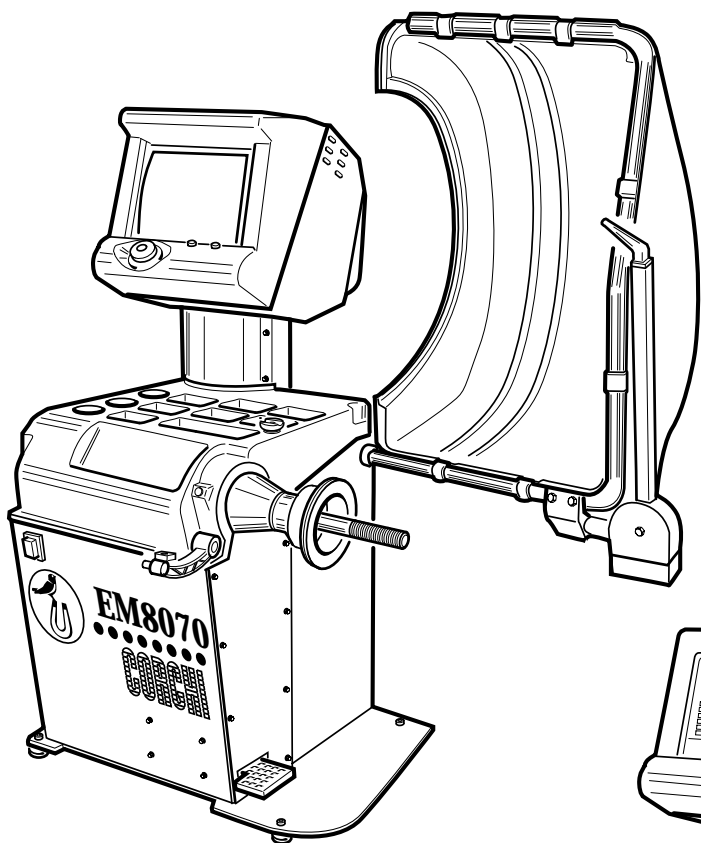


Questo libretto non autorizza l'utente ad intervenire sulle macchine ad esclusione di quanto esplicitamente descritto nel Manuale d'uso, ma consente all'utente di fornire informazioni precise all'Assistenza tecnica, al fine di ridurre i tempi di intervento.

EM 8070 EM 8040

The "Spare parts" booklet does not authorize the user to carry out work on the machine unless expressly specified in the instruction manual, but does enable him to provide accurate information to the assistance service in order to reduce downtime.

PEZZI DI RICAMBIO SPARE PARTS LIST ERSATZTEILLISTE PIECES DE RECHANGE



Versione

3.0

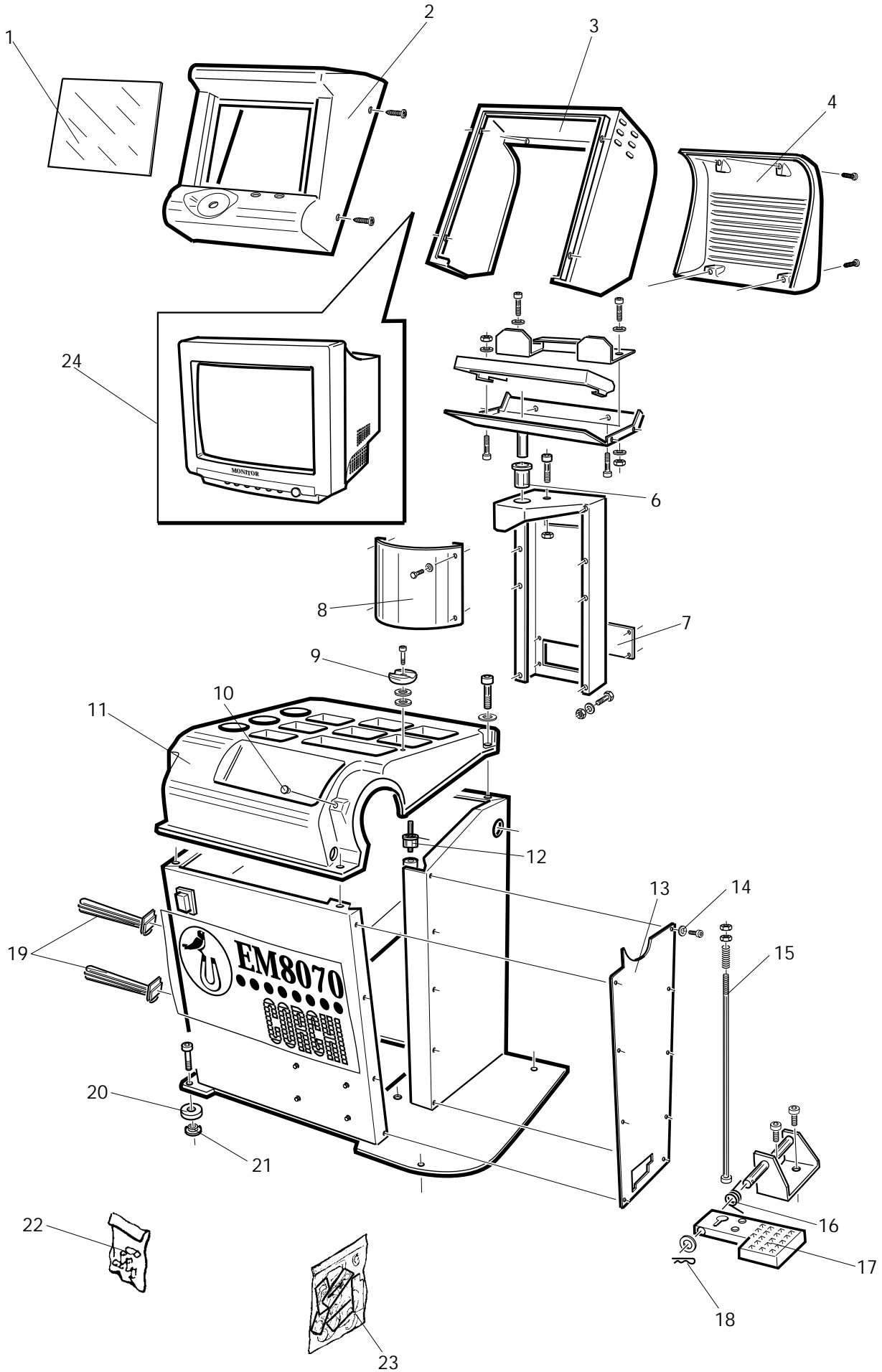
In produzione da
Production from
Herstellung ab
Production

09 / 00

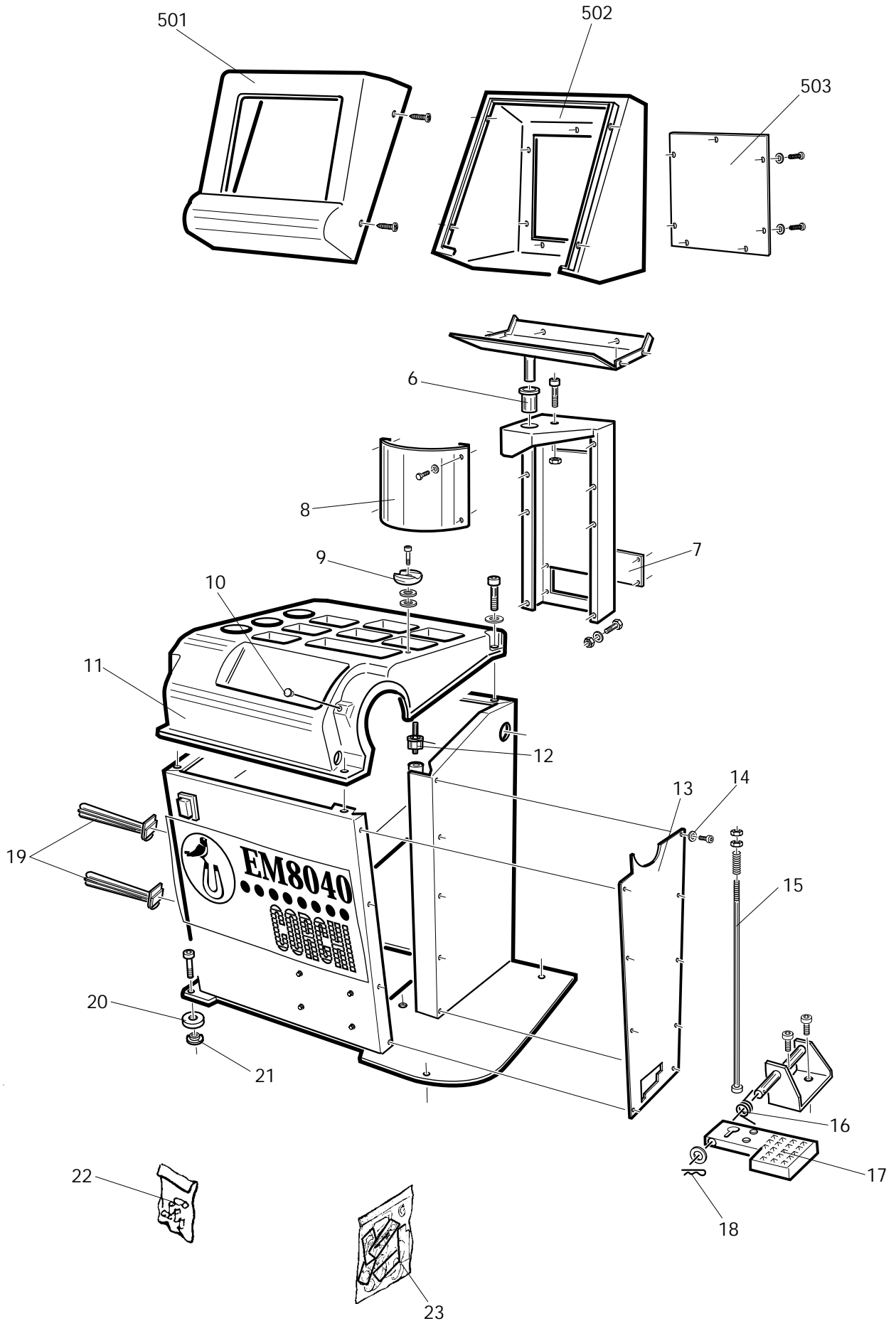
Der Katalog Ersatzteile stellt keine Genehmigung zu eigenmächtigen Eingriffen dar (mit Ausnahme jener im Handbuch beschriebenen), sondern er soll den Anwender in die Lage versetzen, dem technischen Service präzise Informationen zu liefern, um die Reparaturzeiten zu verkürzen.



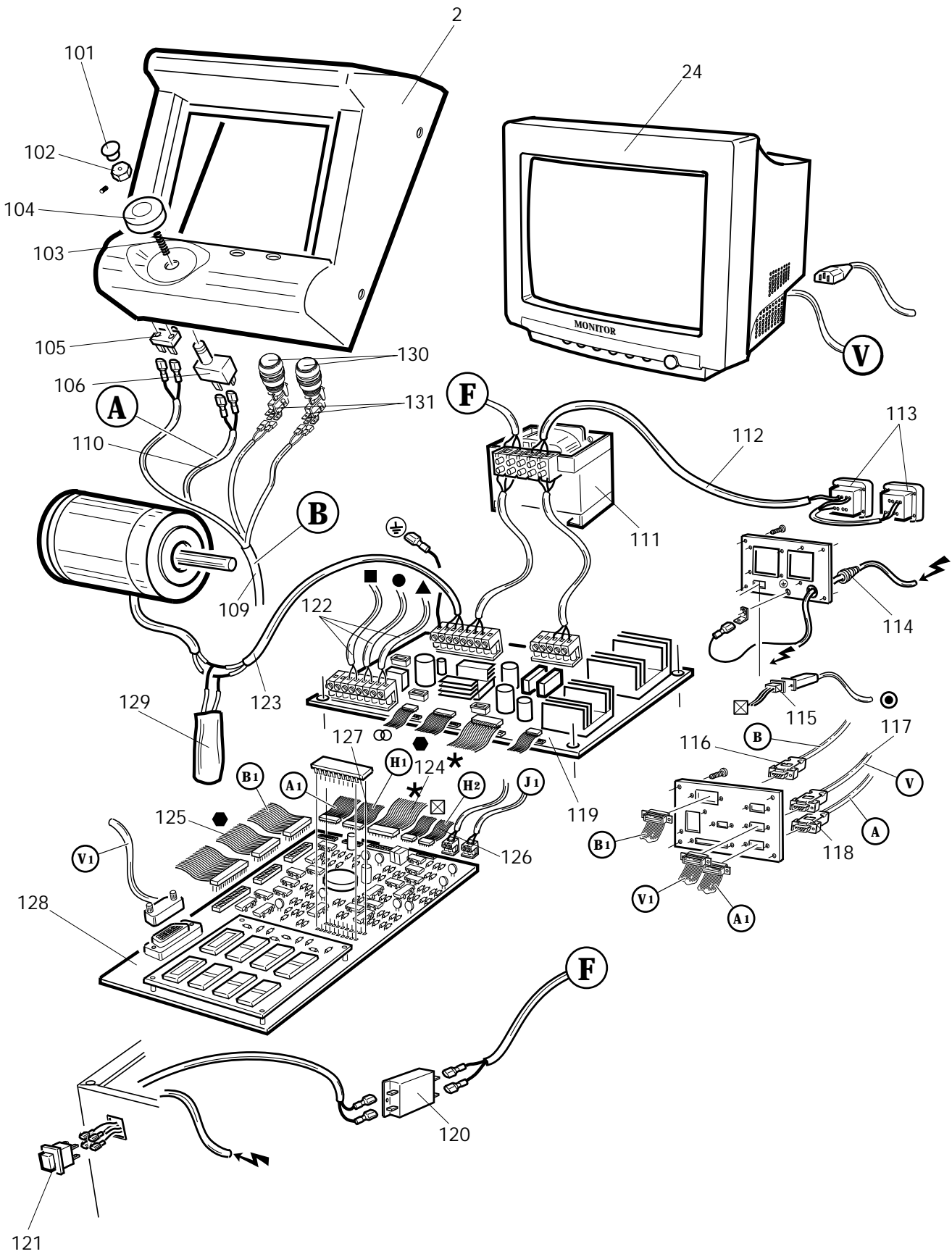
Le livret "Pièces de rechange", n'autorise pas l'utilisateur à intervenir sur les machines, sauf pour tout ce qui est clairement décrit dans le manuel d'utilisation, mais lui permet de fournir des informations précises à l'assistance technique, afin de diminuer les délais d'intervention.



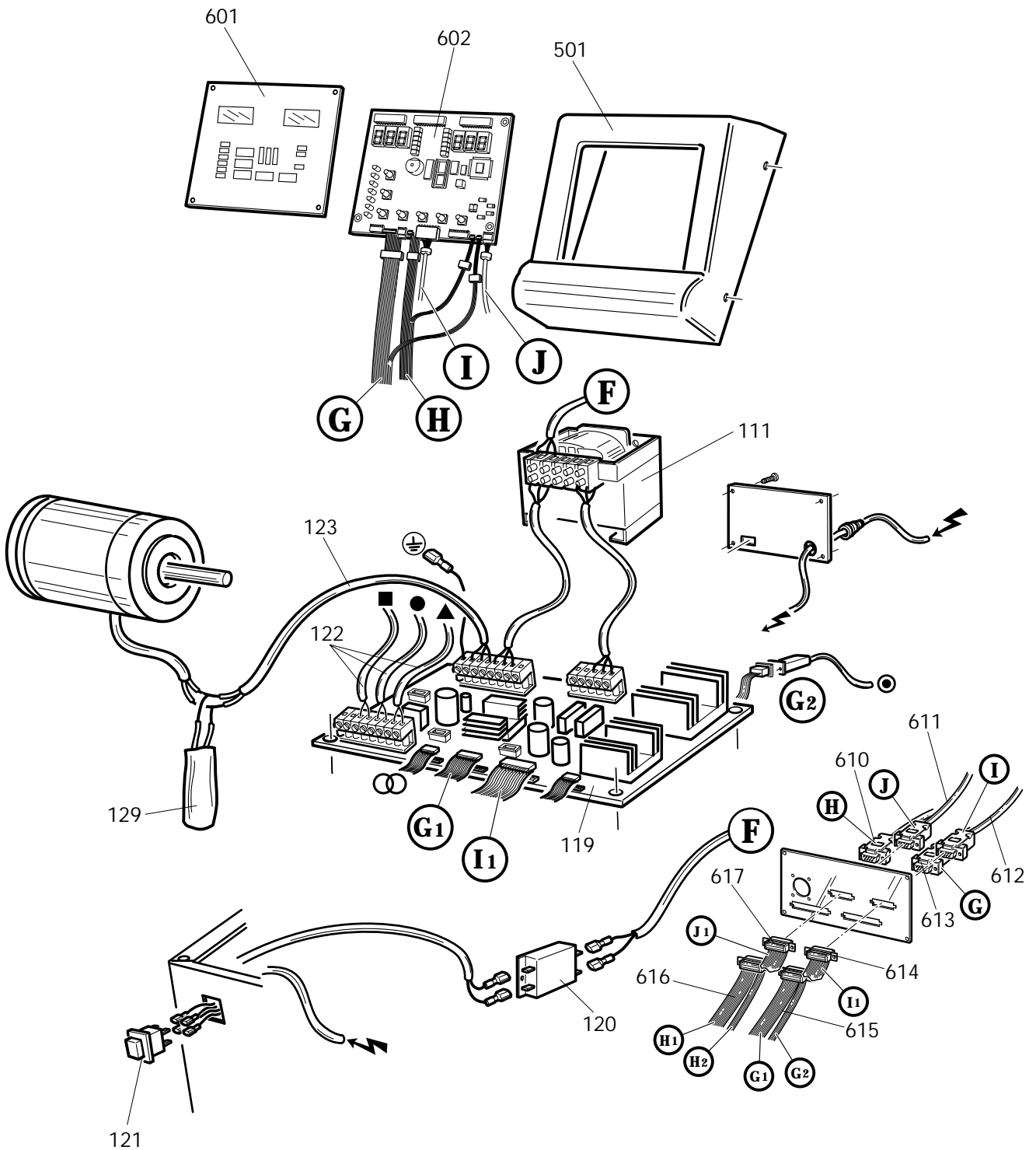
0001	900453473	SCHERMO	PROTECTION	SCHUTZSCHIRM	PROTECTION
0002	900453472	FRONTALE	FRONT PANEL	STIRNBAND	FRONTAL
0003	900353479	PROTEZIONE	SHIELD	ABDECKUNG	PROTECTION
0004	900453482	CARTER	CASING	GEHAUSE	CARTER
0006	900433663	BOCCOLA	BUSHING	LAGER	DOUILLE
0007	900353984	PANNELLO	PANEL	VERKLEIDUNG	PANNEAU
0008	900353486	CARTER	CASING	GEHAUSE	CARTER
0009	900336581	INCUDINE	ANVIL	AMBOSS	ENCLUME
0010	900437527	ELETTROMAGNETE	ELECTROMAGNETE	ELEKTROMAGNET	ELECTRO-AIMANT
0011	900453423	COPERCHIO	LID	DECKEL	COUVERCLE
0012	900347345	SUPPORTO	SUPPORT	LAGER	SUPPORT
0013	900353499	COFANO	HOOD	HAUBE	COFFRE
0014	900453504	RONDELLA	WASHER	UNTERLEGSCHIEBE	RONDELLE
0015	900453492	TIRANTE	STAY ROD	ZUGSTANGE	TIRANT
0016	900453495	MOLLA	SPRING	FEDER	RESSORT
0017	900479233	PEDALE	PEDAL	PEDAL	PEDALE
0018	900435055	MOLLA	SPRING	FEDER	RESSORT
0019	900438319	SUPPORTO	SUPPORT	LAGER	SUPPORT
0020	900427291	PIEDE	FOOT	FUSS	PIED
0021	900353539	DISTANZIALE	SPACER	ABSTANDSSTUECK	ENTRETOISE
0022	900218079	FUSIBILE 3,15A	FUSE 3,15A	SICHERUNG 3,15A	FUSIBLE 3,15A
0022	950229690	FUSIBILE 0,5A	FUSE 0,5A	SICHERUNG 0,5A	FUSIBLE 0,5A
0022	950232942	FUSIBILE 3,15 T	FUSE 3,15 T	SICHERUNG 3,15 T	FUSIBLE 3,15 T
0022	900235420	FUSIBILE 4A T	FUSE 4A T	SICHERUNG 4A T	FUSIBLE 4A T
0022	900251964	FUSIBILE 4A R	FUSE 4A R	SICHERUNG 4A R	FUSIBLE 4A R
0022	900254977	FUSIBILE T20 A	FUSE T20 A	SICHERUNG T20 A	FUSIBLE T20 A
0023	900254546	KIT TARGHETTE	DATA PLATES KIT	TYPENSCHILDS	KIT PLAQUETTES
0024	900455537	MONITOR	MONITOR	MONITOR	MONITEUR



0006	900433663	BOCCOLA	BUSHING	LAGER	DOUILLE
0007	900353984	PANNELLO	PANEL	VERKLEIDUNG	PANNEAU
0008	900353486	CARTER	CASING	GEHAUSE	CARTER
0009	900336581	INCUDINE	ANVIL	AMBOSS	ENCLUME
0010	900437527	MAGNETE	MAGNET	MAGNET	AIMANT
0011	900453423	COPERCHIO	LID	DECKEL	COUVERCLE
0012	900347345	SUPPORTO	SUPPORT	LAGER	SUPPORT
0013	900353499	COFANO	HOOD	HAUBE	COFFRE
0014	900453504	RONDELLA	WASHER	UNTERLEGSCHIEBE	RONDELLE
0015	900453492	TIRANTE	STAY ROD	ZUGSTANGE	TIRANT
0016	900453495	MOLLA	SPRING	FEDER	RESSORT
0017	900479233	PEDALE	PEDAL	PEDAL	PEDALE
0018	900435055	MOLLA	SPRING	FEDER	RESSORT
0019	900438319	SUPPORTO	SUPPORT	LAGER	SUPPORT
0020	900427291	PIEDE	FOOT	FUSS	PIED
0021	900353539	DISTANZIALE	SPACER	ABSTANDSSTUECK	ENTRETOISE
0022	950232942	FUSIBILE 3,15 T	FUSE 3,15 T	SICHERUNG 3,15 T	FUSIBLE 3,15 T
0022	950229690	FUSIBILE 0,5A	FUSE 0,5A	SICHERUNG 0,5A	FUSIBLE 0,5A
0022	900251964	FUSIBILE 4A R	FUSE 4A R	SICHERUNG 4A R	FUSIBLE 4A R
0022	900254977	FUSIBILE T20 A	FUSE T20 A	SICHERUNG T20 A	FUSIBLE T20 A
0023	900254546	KIT TARGHETTE	DATA PLATES KIT	TYPENSCHILDS	KIT PLAQUETTES
0501	900453636	FRONTALE	FRONT PANEL	STIRNBAND	FRONTAL
0502	900353632	PROTEZIONE	SHIELD	ABDECKUNG	PROTECTION
0503	900353633	CARTER	CASING	GEHAUSE	CARTER

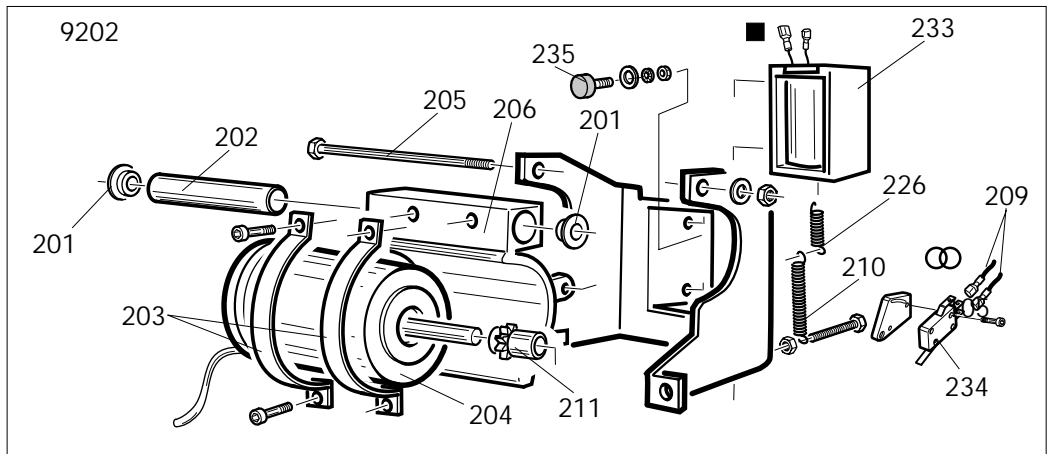


0002	900453472	FRONTALE	FRONT PANEL	STIRNBAND	FRONTAL
0024	900455537	MONITOR	MONITOR	MONITOR	MONITEUR
0101	900453967	TAPPO	PLUG	STOPFEN	BOUCHON
0102	900353461	FERMO	RETAINER	ANSCHLAG	ARRET
0103	900453968	MOLLA	SPRING	FEDER	RESSORT
0104	900353474	MANOPOLA	KNOB	BALLENGRIFF	BOUTON
0105	900453434	MICROINTERRUTT.	MICROSWITCH	MIKROSCHALTER	MICROINTERRUPTEUR
0106	900248812	ENCODER	ENCODER	CODIERER	CODEUR
0109	900253778	CAVO	CABLE	KABEL	CABLE
0110	900454238	CAVO FLAT	FLAT CABLE	FLACHER KABEL	CABLE FLAT
0111	900457961	TRAS. 100/200V	TRANSFORMER	TRANSFORMATOR	TRANSFORMATEUR
0111	900238727	TRAS. 100/115/230V	TRANSFORMER	TRANSFORMATOR	TRANSFORMATEUR
0112	900453693	CAVO	CABLE	KABEL	CABLE
0113	900453965	CAVO	CABLE	KABEL	CABLE
0114	900235392	CAVO	CABLE	KABEL	CABLE
0115	900453698	CAVO FLAT	FLAT CABLE	FLACHER KABEL	CABLE FLAT
0116	900253692	CAVO	CABLE	KABEL	CABLE
0117	900453477	CAVO FLAT	FLAT CABLE	FLACHER KABEL	CABLE FLAT
0118	900453701	CAVO FLAT	FLAT CABLE	FLACHER KABEL	CABLE FLAT
0119	900454218	SCHEDA ELETTRON.	P.C.BOARD	ELEKTR.PLATINE	FICHE ELECTR.
0120	900448914	FILTRO	FILTER	FILTER	FILTRE
0121	950433848	INTERRUTTORE	SWITCH	SCHALTER	INTERRUPTEUR
0122	900453695	CAVO	CABLE	KABEL	CABLE
0123	900453696	CAVO	CABLE	KABEL	CABLE
0124	900453700	CAVO FLAT	FLAT CABLE	FLACHER KABEL	CABLE FLAT
0125	900453702	CAVO FLAT	FLAT CABLE	FLACHER KABEL	CABLE FLAT
0126	900453703	CAVO FLAT	FLAT CABLE	FLACHER KABEL	CABLE FLAT
0127	900448378	CAVO FLAT	FLAT CABLE	FLACHER KABEL	CABLE FLAT
0128	900254555	SCHEDA ELETT. STD.	P.C.BOARD STD.	ELEKTR.PLATINE STD.	FICHE ELECTR. STD.
0128	900254556	SCHEDA JAPAN	P.C.BO. JAPAN	ELEKTR.PLATINE JAPAN	FICHE ELECTR. JAPAN
0128	900259462	SCHEDA USA	P.C.BO. USA	ELEKTR.PLATINE USA	FICHE ELECTR. USA
0129	900454272	FILTRO RC	RC FILTER	FILTER RC	FILTRE RC
0130	900454407	PULSANTE	BUTTON	DRUCKKNOPF	BOUTON
0131	900454405	MICROINTERRUTT.	MICROSWITCH	MIKROSCHALTER	MICROINTERRUPTEUR

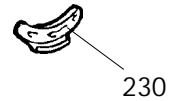
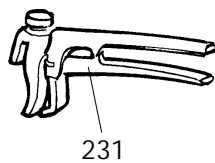
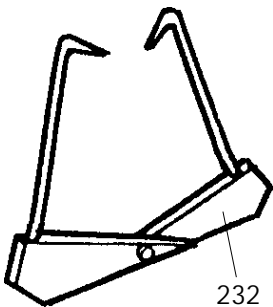
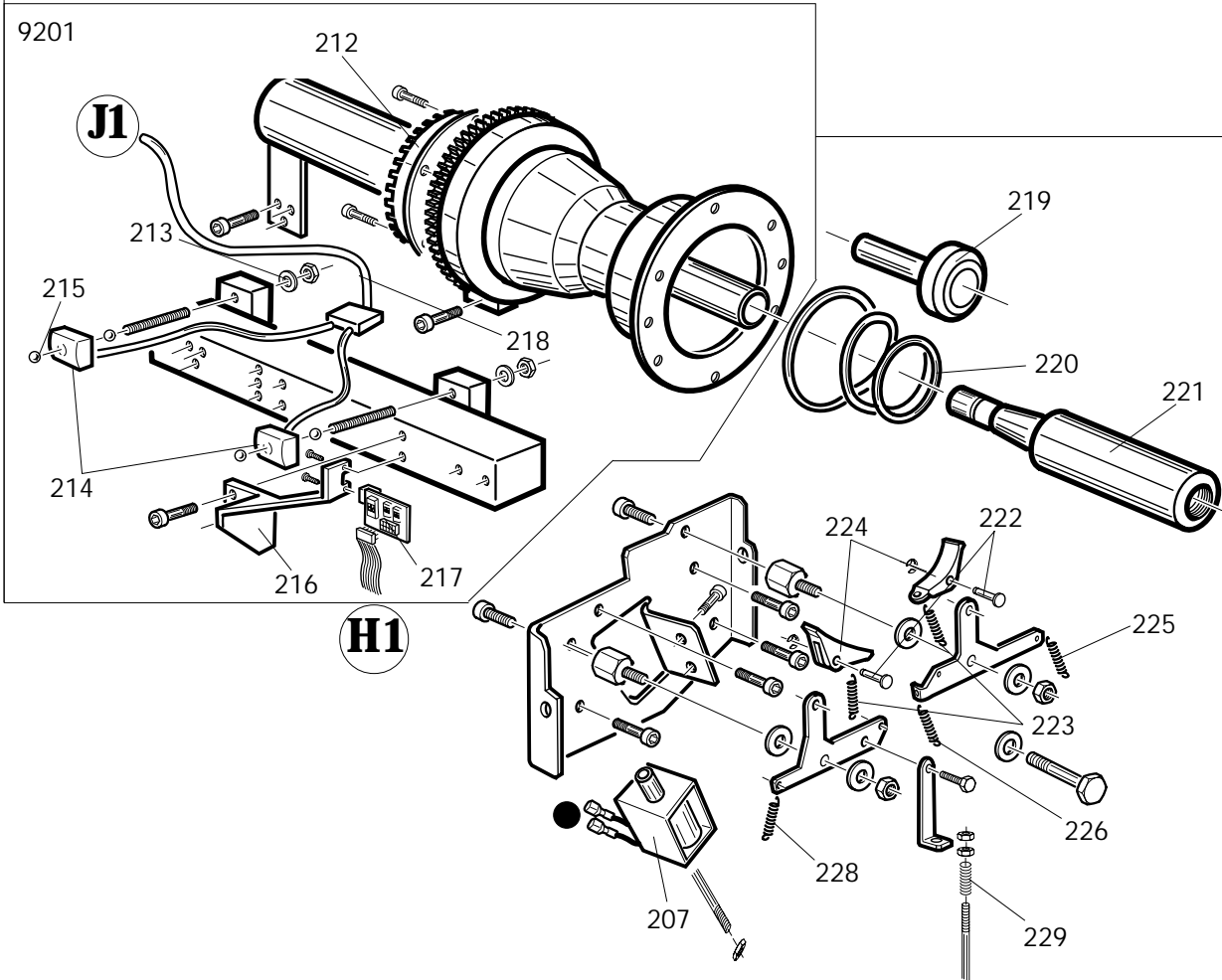


0111	900457961	TRAS. 100/200V	TRANSFORMER	TRANSFORMATOR	TRANSFORMATEUR
0111	900238727	TRAS. 100/115/230V	TRANSFORMER	TRANSFORMATOR	TRANSFORMATEUR
0114	900235392	CAVO	CABLE	KABEL	CABLE
0119	900454218	SCHEDA ELETTRON.	P.C.BOARD	ELEKTR.PLATINE	FICHE ELECTR.
0120	900448914	FILTRO	FILTER	FILTER	FILTRE
0121	950433848	INTERRUTTORE	SWITCH	SCHALTER	INTERRUPTEUR
0122	900453695	CAVO	CABLE	KABEL	CABLE
0123	900453696	CAVO	CABLE	KABEL	CABLE
0129	900454272	FILTRO RC	RC FILTER	FILTER RC	FILTRE RC
0501	900453636	FRONTALE	FRONT PANEL	STIRNBAND	FRONTAL
0601	900453991	TARGHETTA	DATA PLATE	TYPENSCHILD	PLAQUETTE
0602	900254455	SCHEDA ELETTRON.	P.C.BOARD	ELEKTR.PLATINE	FICHE ELECTR.
0602	900259463	SCHEDA ELETT.USA	P.C.BOARD USA	ELEKTR.PLATINE USA	FICHE ELECTR. USA
0603	900453852	CAVO FLAT	FLAT CABLE	FLACHER KABEL	CABLE FLAT
0610	900455545	CAVO	CABLE	KABEL	CABLE
0611	900255549	CAVO	CABLE	KABEL	CABLE
0612	900255547	CAVO	CABLE	KABEL	CABLE
0613	900455543	CAVO	CABLE	KABEL	CABLE
0614	900255548	CAVO FLAT	FLAT CABLE	FLACHER KABEL	CABLE FLAT
0615	900455544	CAVO FLAT	FLAT CABLE	FLACHER KABEL	CABLE FLAT
0616	900455546	CAVO FLAT	FLAT CABLE	FLACHER KABEL	CABLE FLAT
0617	900255550	CAVO FLAT	FLAT CABLE	FLACHER KABEL	CABLE FLAT

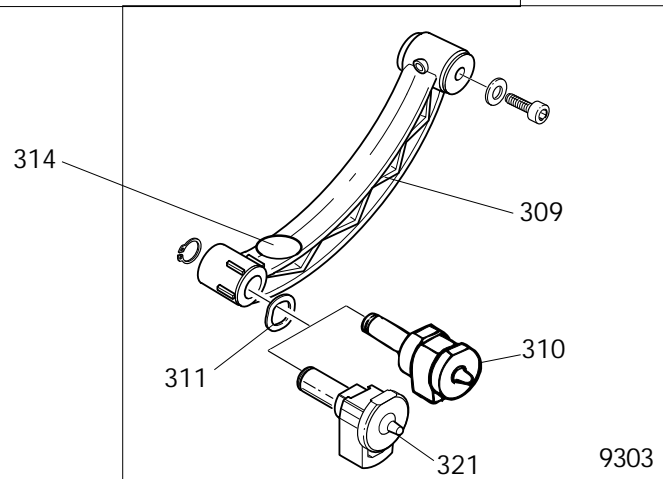
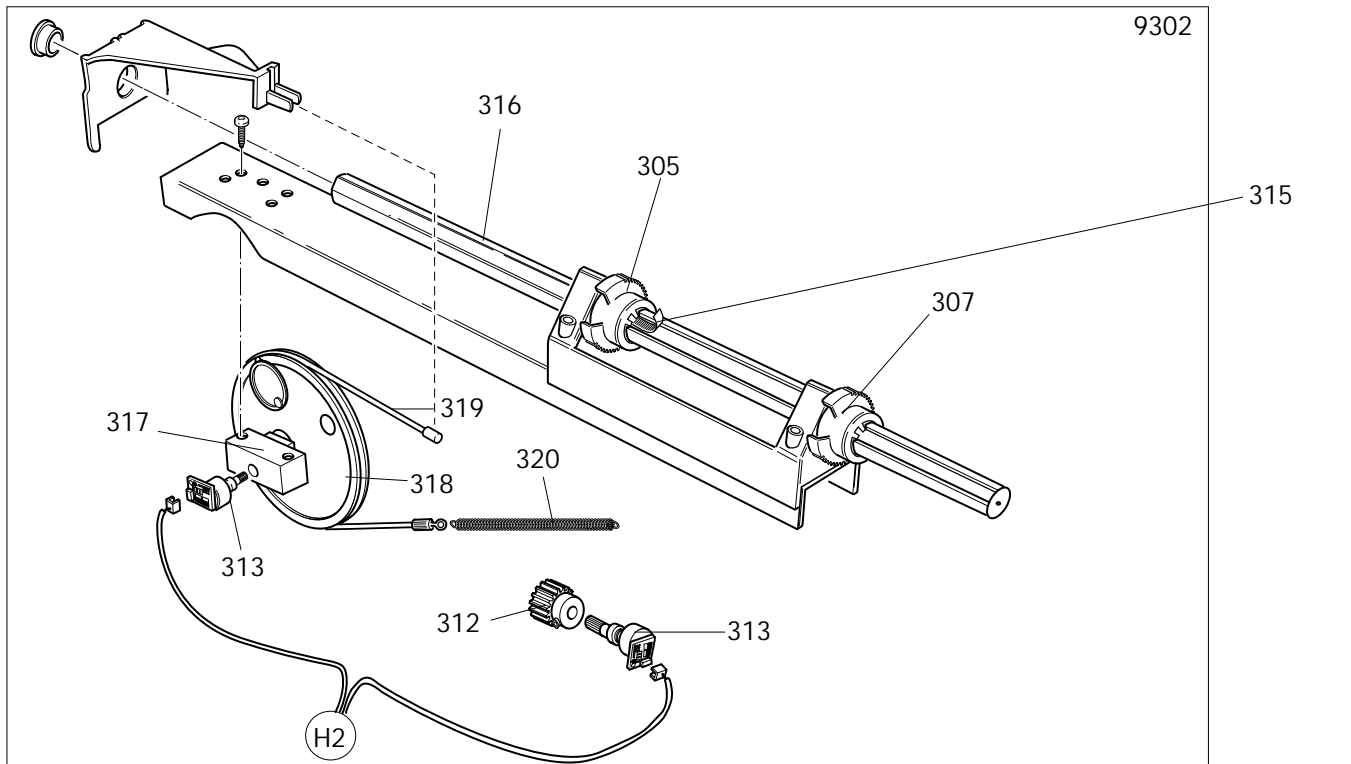
9203



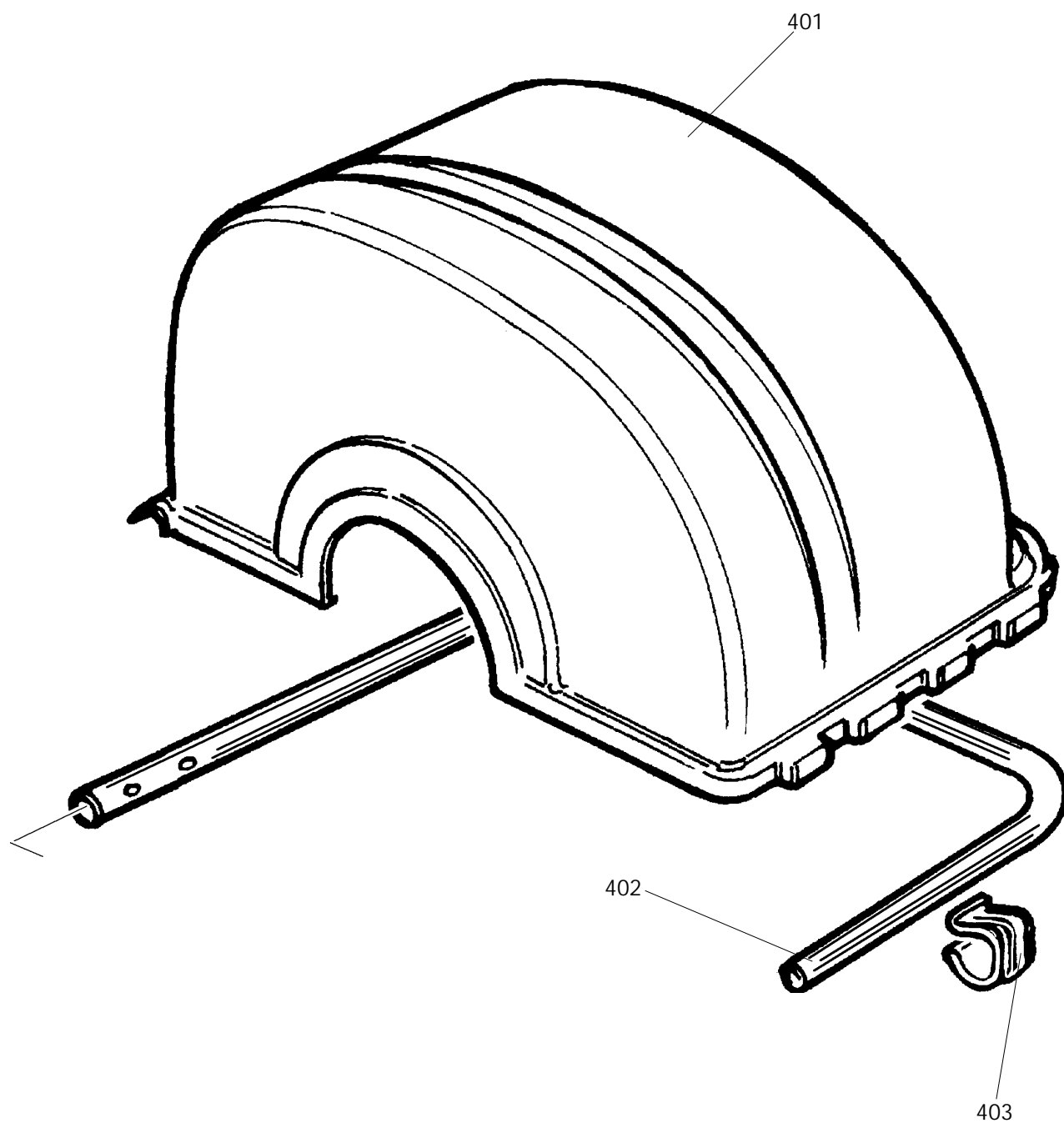
9201



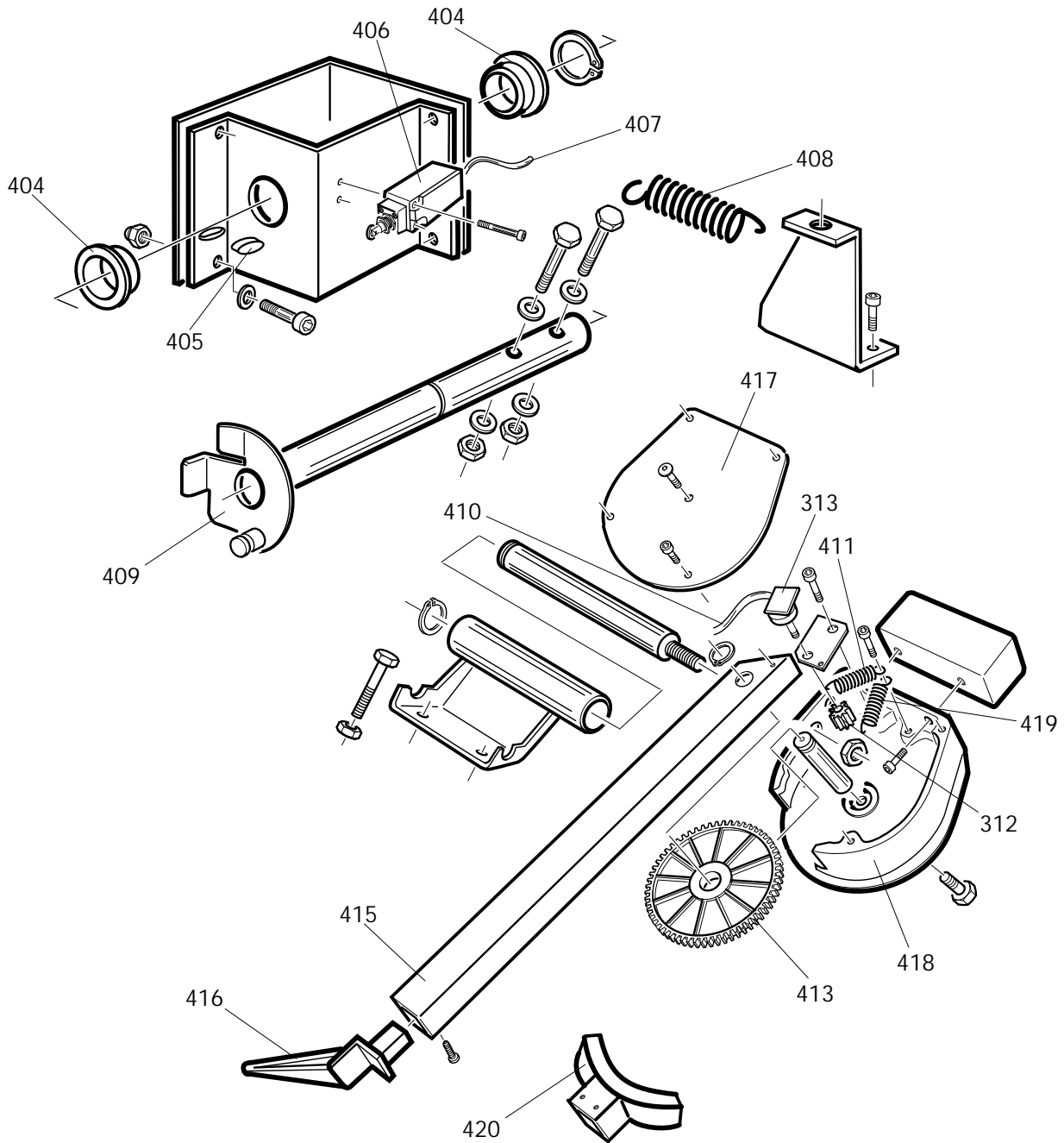
9203	900253418	GRUPPO	ASSEMBLY	GRUPPE	GROUPE
9202	900253429	DISPOSIT.DI LANCIO	SPINNING ASS.	MASCHINENWELLE	DISPOSITIF DE LANC.
0201	900453570	BOCCOLA	BUSHING	LAGER	DOUILLE
0202	900353569	TUBO	PIPE	ROHR	TUYAU
0203	900353435	FASCETTA	STRAP	SCHLAUCHSCHELLE	COLLIER
0204	900453437	MOTORE	MOTOR	MOTOR	MOTEUR
0205	900353433	PERNO	PIN	ZAPFEN	PIVOT
0206	900353432	SUPPORTO	SUPPORT	LAGER	SUPPORT
0209	900454121	CAVO	CABLE	KABEL	CABLE
0210	900417834	MOLLA	SPRING	FEDER	RESSORT
0211	900453430	PIGNONE	PINION	RITZEL	PIGNON
0233	900254951	ELETTROMAGNETE	ELECTROMAGNETELEKTROMAGNET		ELECTRO-AIMANT
0234	900443611	MICROINTERRUTT.	MICROSWITCH	MIKROSCHALTER	MICROINTERRUP.
0235	900442967	TAMPONE	PAD	PUFFER	TAMPON
9201	900253428	GRUPPO	ASSEMBLY	GRUPPE	GROUPE
0212	900449310	DISCO	DISK	SCHEIBE	DISQUE
0213	900424993	MOLLA	SPRING	FEDER	RESSORT
0214	900237201	COPPIA DI PICK UP	PICK UP PAIR	PICK UP-PAAR	PAIRE DE CAPT.
0215	900600243	SFERA	BALL	KUGEL	BILLE
0216	900353440	SUPPORTO	SUPPORT	LAGER	SUPPORT
0217	900249280	SCHEDA ELETTRON.	P.C.BOARD	ELEKTR.PLATINE	FICHE ELECTR.
0218	900253697	CAVO	CABLE	KABEL	CABLE
0207	900254951	ELETTROMAGNETE	ELECTROMAGNETELEKTROMAGNET		ELECTRO-AIMANT
0219	900222101	VITE	SCREW	SCHRAUBE	VIS
0220	900444239	MOLLA	SPRING	FEDER	RESSORT
0221	900222099	MOZZO	HUB	NABE	MOYEU
0222	900353467	PERNO	PIN	ZAPFEN	PIVOT
0223	900453468	MOLLA	SPRING	FEDER	RESSORT
0224	900253466	PATTINO	PAD	GLEITSTCHUH	PATIN
0225	900453464	MOLLA	SPRING	FEDER	RESSORT
0226	900454957	MOLLA	SPRING	FEDER	RESSORT
0228	900435037	MOLLA	SPRING	FEDER	RESSORT
0229	900453496	MOLLA	SPRING	FEDER	RESSORT
0230	900430573	PESO	WEIGHT	GEWICHT	POIDS
0231	900203841	PINZA	PLIERS	ZANGE	PINCE
0232	900453144	CALIBRO	CALIPER	LEHRE	CALIBRE



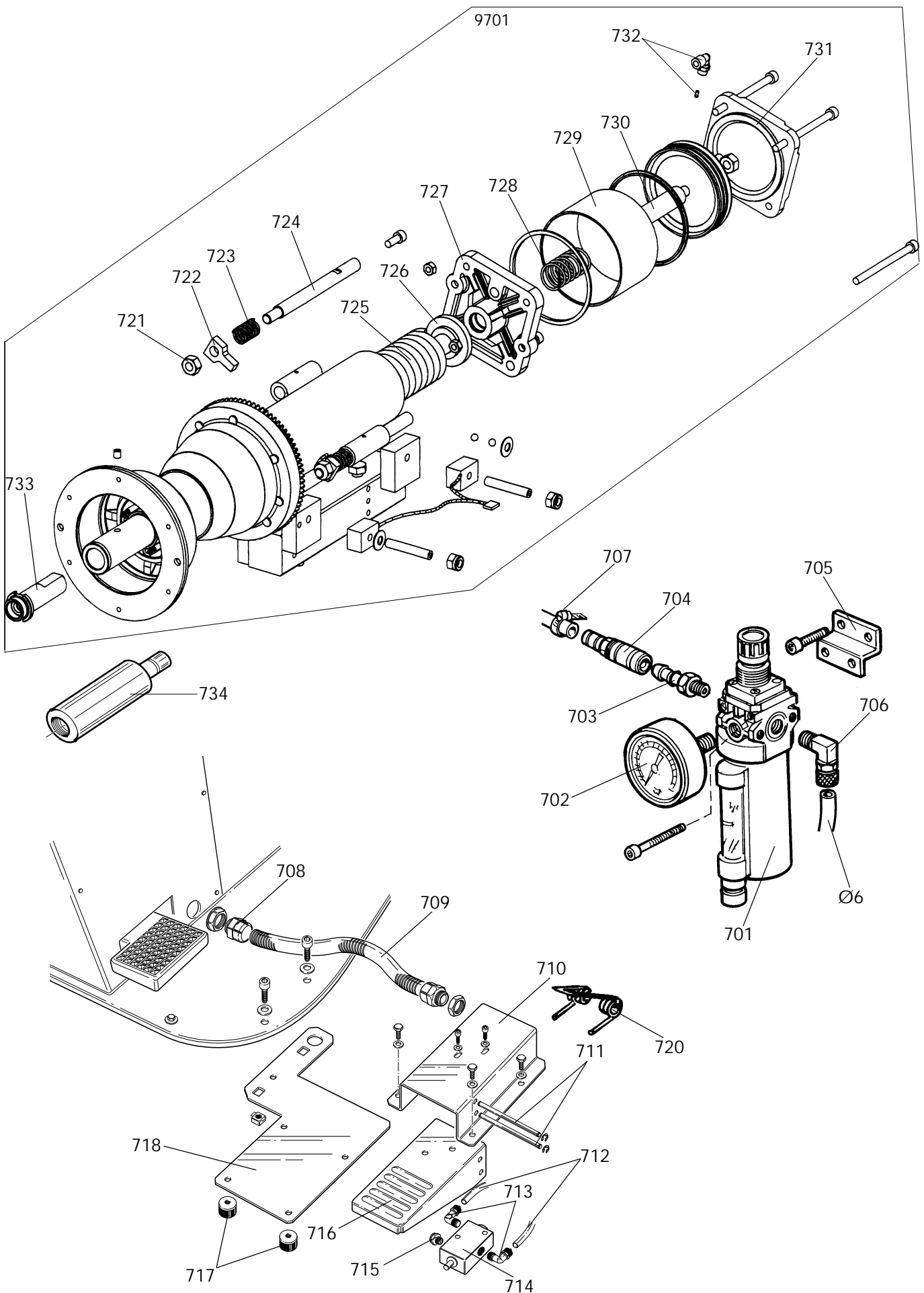
9302	900257445	RILEVATORE	SIGNAL TRACER	AUFNEHMER	MESUREUR
0305	900449321	BOCCOLA	BUSHING	LAGER	DOUILLE
0307	900454000	BOCCOLA	BUSHING	LAGER	DOUILLE
0312	900449326	PIGNONE	PINION	RITZEL	PIGNON
0313	900248387	POTENZIOMETRO	POTENTIOMETER	POTENTIOMETER	POTENTIOMETRE
0316	900357405	ASTA	SHAFT	STANGE	BARRE
0317	900457404	SUPPORTO	SUPPORT	LAGER	SUPPORT
0318	900457403	PULEGGIA	PULLEY	REIMENSCHHEIBE	POULIE
0319	900457130	FUNE	CABLE	SEIL	CABLE
0320	900455317	MOLLA	SPRING	FEDER	RESSORT
9303	900257656	BRACCIO	ARM	ARM	BRAS
9303	900257658	BRACCIO VERSIONE GERMANIA		ARM GERMAN VERSION	
0309	900453505	BRACCIO	ARM	ARM	BRAS
0310	900249339	TERMINALE	TERMINAL	ENDVERSCHLUSS	COSSE
0311	900450073	ANELLO	RING	RITZEL	PIGNON
0321	900255046	TERMINALE GERMANIA		ENDVERSCHLUSS GERMAN	
0314	900353557	DISCO	DISK	SCHEIBE	DISQUE
0315	900449370	TARGHETTA	DATA PLATE	TYPENSCHILD	PLAQUETTE



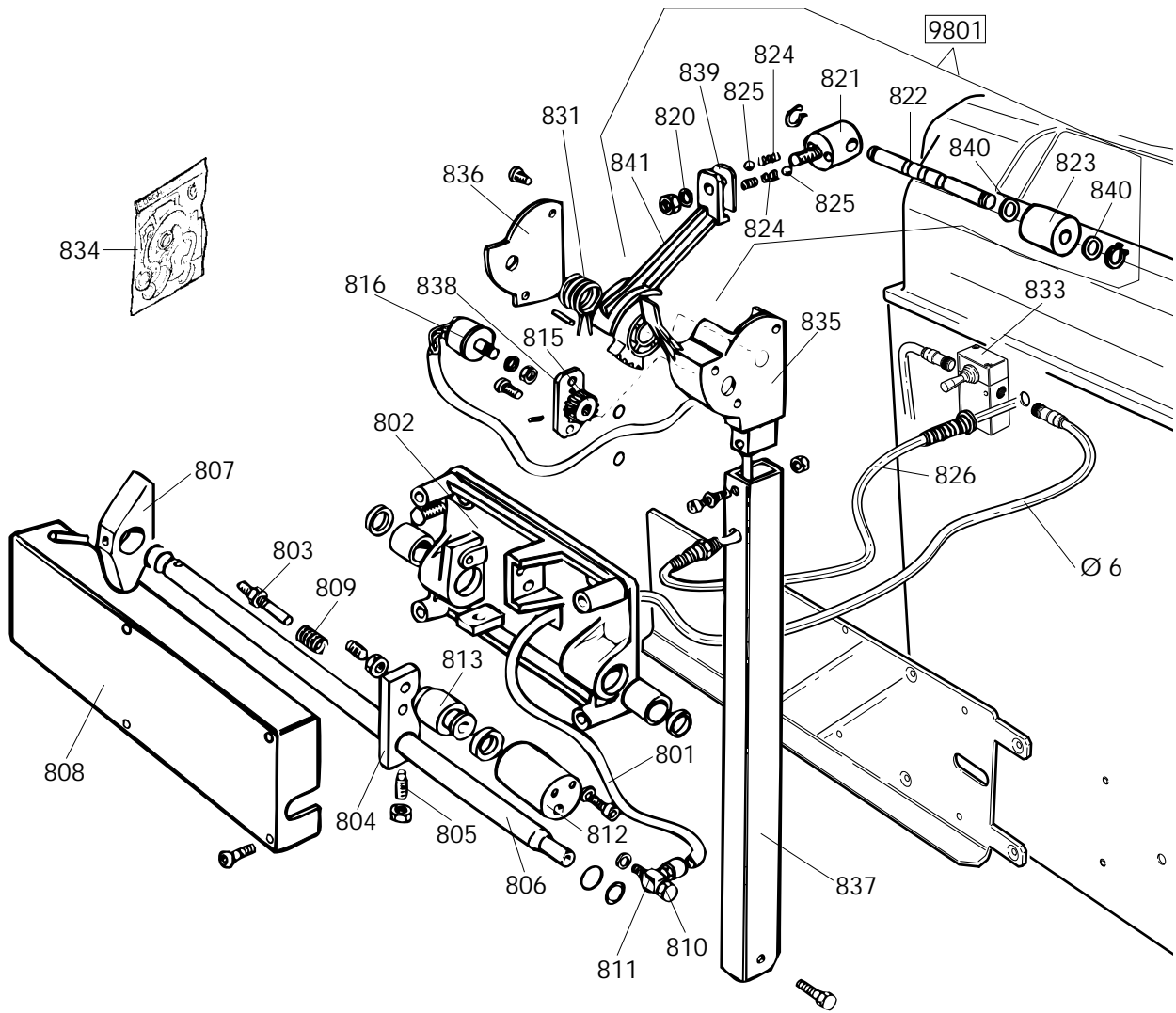
0401	900449271	PROTEZIONE	SHIELD	ABDECKUNG	PROTECTION
0402	900349272	TUBO	PIPE	ROHR	TUYAU
0403	900449273	MOLLA	SPRING	FEDER	RESSORT



0312	900449326	PIGNONE	PINION	RITZEL	PIGNON
0313	900248387	POTENZIOMETRO	POTENTIOMETER	POTENTIOMETER	POTENTIOMETRE
0404	900433637	BOCCOLA	BUSHING	LAGER	DOUILLE
0405	900413163	TASSELLO	BLOCK	EINSATZSTUECK	TAMPON
0406	900441494	MICROINTERRUTT.	MICROSWITCH	MIKROSCHALTER	MICROINTERRUPTEUR
0407	900241604	CAVO	CABLE	KABEL	CABLE
0408	900449270	MOLLA	SPRING	FEDER	RESSORT
0409	900253453	FERMO	RETAINER	ANSCHLAG	ARRET
0410	900453493	CAVO FLAT	FLAT CABLE	FLACHER KABEL	CABLE FLAT
0411	900454239	MOLLA	SPRING	FEDER	RESSORT
0413	900453579	INGRANAGGIO	GEAR	ZAHNRADGETRIEBE	ENGRENAGE
0415	900353559	BRACCIO	ARM	ARM	BRAS
0416	900453572	TASTATORE	FEELER PIN	FUEHLER	PALPEUR
0417	900353578	COPERCHIO	LID	DECKEL	COUVERCLE
0418	900454457	CORPO	BODY	KOERPER	CORPS
0419	900455120	MOLLA	SPRING	FEDER	RESSORT
0420	900454458	PROTEZIONE	SHIELD	ABDECKUNG	PROTECTION



9701	900254293	GRUPPO	ASSEMBLY	GRUPPE	GROUPE
	Ø6	900701684 TUBO	PIPE	ROHR	TUYAU
0701	900434617	FILTRO	FILTER	FILTER	FILTRE
0702	900434818	MANOMETRO	PRESSUREG.	DRUCKMESSER	MANOMETRE
0703	900441900	GIUNTO	COUPLING	KUPPLUNG	ACCOUPLLEMENT
0704	900441899	GIUNTO	COUPLING	KUPPLUNG	ACCOUPLLEMENT
0705	900333683	STAFFA	BRACKET	KLAUE	ETRIER
0706	900425012	RACCORDO	CONNECTOR	ANSCHLUSS	RACCORD
0707	950403751	FASCETTA	STRAP	SCHLAUCHSCHELLE	COLLIER
0708	900455344	RACCORDO	CONNECTOR	ANSCHLUSS	RACCORD
0709	900704245	GUAINA	SHEATH	HUELLE	GAINÉ
0710	900354317	SUPPORTO	SUPPORT	LAGER	SUPPORT
0711	900337690	PERNO	PIN	ZAPFEN	PIVOT
0712	900354534	TUBO	PIPE	ROHR	TUYAU
0713	900443432	RACCORDO	CONNECTOR	ANSCHLUSS	RACCORD
0714	900452564	VALVOLA	VALVE	VENTIL	VANNE
0715	900415279	SILENZIATORE	SILENCER	SCHALLDAEMPFER	SILENCIEUX
0716	900337687	PEDALE	PEDAL	PEDAL	PEDALE
0717	900441675	ANTIVIBRANTE	VIBRATIONDAMP.	SCHWINGUNGSD.	ANTI-VIBRATION
0718	900354318	PROLUNGA	EXTENSIONCORD	VERLAENGERUNG	RALLONGE
0720	900437689	MOLLA	SPRING	FEDER	RESSORT
0721	900422255	DADO	NUT	MUTTER	ECROU
0722	900338824	ATTACCO	ADAPTOR	HALTERUNG	ATTAQUE
0723	900438820	MOLLA	SPRING	FEDER	RESSORT
0724	900338823	PERNO	PIN	ZAPFEN	PIVOT
0725	900438821	MOLLA	SPRING	FEDER	RESSORT
0726	900239558	TIRANTE	STAY ROD	ZUGSTANGE	TIRANT
0727	900338819	FLANGIA	FLANGE	FLANSCH	FLASQUE
0728	900417836	MOLLA	SPRING	FEDER	RESSORT
0729	900338818	CILINDRO	CYLINDER	ZYLINDER	CYLINDRE
0730	900338822	STELO	STEM	SCHAFT	TIGE
0731	900354903	FLANGIA	FLANGE	FLANSCH	FLASQUE
0732	900246426	RACCORDO	CONNECTOR	ANSCHLUSS	RACCORD
0733	900337453	BLOCCHETTO	BLOCK	BLOCK	BLOC
0734	900237466	MOZZO Q.L.	HUB Q.L.	NABE Q.L.	MOYAU Q.L.



Ø 6	900701684	TUBO	PIPE	ROHR	TUYAU
0802	900242144	SUPPORTO	SUPPORT	LAGER	SUPPORT
0803	900341301	VITE	SCREW	SCHRAUBE	VIS
0804	900341302	PIASTRA	SLAB	PLATTE	PLAQUE
0805	900341303	VITE	SCREW	SCHRAUBE	VIS
0806	900341304	PERNO	PIN	ZAPFEN	PIVOT
0807	900441305	FERMO	RETAINER	ANSCHLAG	ARRET
0808	900341306	CARTER	CASING	GEHAUSE	CARTER
0809	900442826	MOLLA	SPRING	FEDER	RESSORT
0810	900428719	VITE	SCREW	SCHRAUBE	VIS
0811	900427290	RACCORDO	CONNECTOR	ANSCHLUSS	RACCORD
0812	900439266	CILINDRO	CYLINDER	ZYLINDER	CYLINDRE
0813	900439267	PISTONE	PISTON	KOLBEN	PISTON
0815	900341322	INGRANAGGIO	GEAR	ZAHNRADGETRIEBE	ENGRENAGE
0816	900441321	POTENZIOMETRO	POTENTIOMETER	POTENTIOMETER	POTENTIOMETRE

9801	900241326	LEVA	LEVER	HEBEL	LEVIER
0820	950407253	RONDELLA	WASHER	UNTERLEGSCHEIBE	RONDELLE
0821	900341325	BLOCCHETTO	BLOCK	BLOCK	BLOC
0822	900341327	PERNO	PIN	ZAPFEN	PIVOT
0823	900341328	ROTELLA	WHEEL	RAEDCHEN	ROULETTE
0824	950408046	MOLLA	SPRING	FEDER	RESSORT
0825	900600240	SFERA	BALL	KUGEL	BILLE
0839	900343069	PIASTRINA	PLATE	PLAETTCHEN	PLAQUETTE
0840	950407253	RONDELLA	WASHER	UNTERLEGSCHEIBE	RONDELLE
0841	900442366	LEVA	LEVER	HEBEL	LEVIER

0826	900241337	CAVO	CABLE	KABEL	CABLE
0831	900441317	MOLLA	SPRING	FEDER	RESSORT
0833	900241338	VALVOLA	VALVE	VENTIL	VANNE
0834	900242145	KITGUARNIZIONI	SEALSKIT	DICHTUNGSATZ	KITJOINTS
0835	900342365	SUPPORTO	SUPPORT	LAGER	SUPPORT
0836	900342590	CHIUSURA	CLOSING	VERSCHLUSS	FERMETURE
0837	900342594	BRACCIO	ARM	ARM	BRAS
0838	900342591	LAMIERA	METALSHEET	BLECH	TOLE

Il disegno è realizzato con tutti i particolari ma solo quelli codificati sono forniti come ricambi. L'Azienda si riserva la facoltà di apportare modifiche senza preavviso.



S.S. 468 n°9 - 42015 Correggio (RE) ITALY
Tel. ++39 0522 639111 - Fax ++39 0522 639150
www.corghi.com - info@corghi.com

The drawing shows all parts but only the coded parts are supplied as spares. The Company reserves the right to make modifications without prior notice.