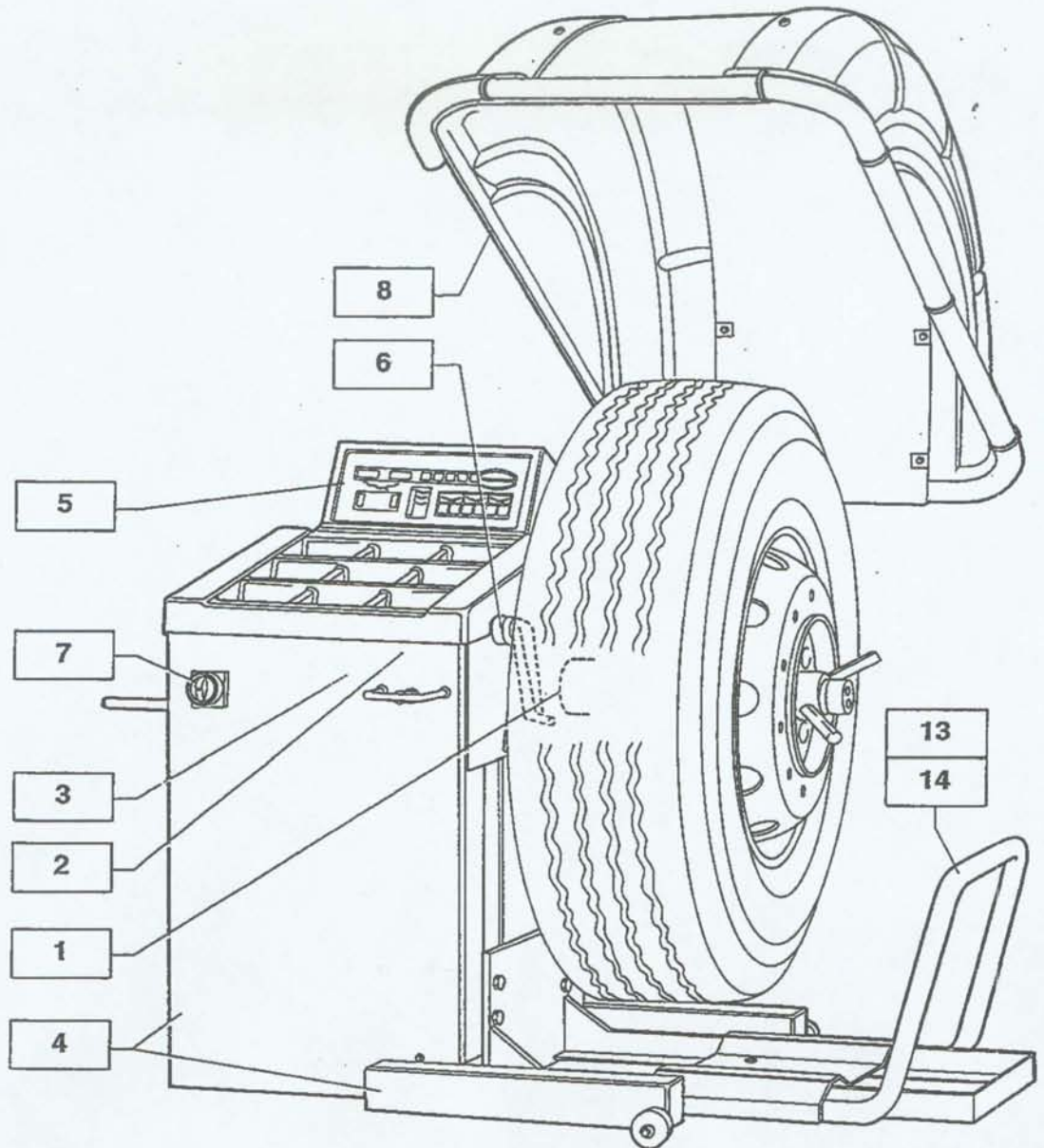


C211 (C)

E-0147-C211-G8.PDI



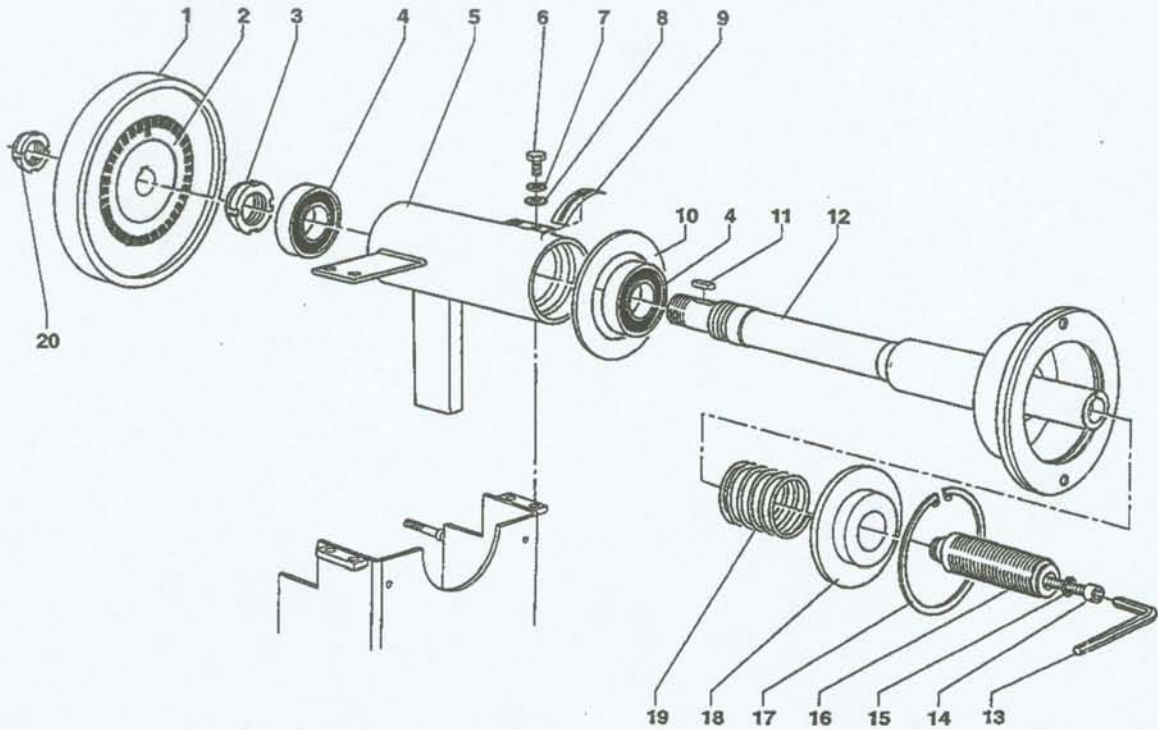
D0123-1	0123-1	1	MANDRINO	SHAFT ASSEMBLY
D0125-2	0147-2	2	MOTORE+DATORE DI FASE+ TRASDUTTORI PIEZO	MOTOR+POSITION PICK-UP+ PIEZO TRANSDUCER
D0125-3	0125-3	3	FRENO	BRAKE
D0147-4	0147-4	4	BASAMENTO	CASING
D0147-5	0147-5	5	BASAMENTO	CASING
D0147-6	0147-6	6	CALIBRO AUTOMATICO DISTANZA	AUTOMATIC DISTANCE GAUGE
D0147-7	0147-7	7	POTENZA	POWER UNIT
D0113-8	0147-8	8	PROTEZIONE RUOTA	WHEEL GUARD
D0125-13	0125-13	13	LIFT	LIFT
D0113-14	0113-14	14	LIFT	LIFT

* Particolari reperibili in commercio

* Parts on the market

D0123-1

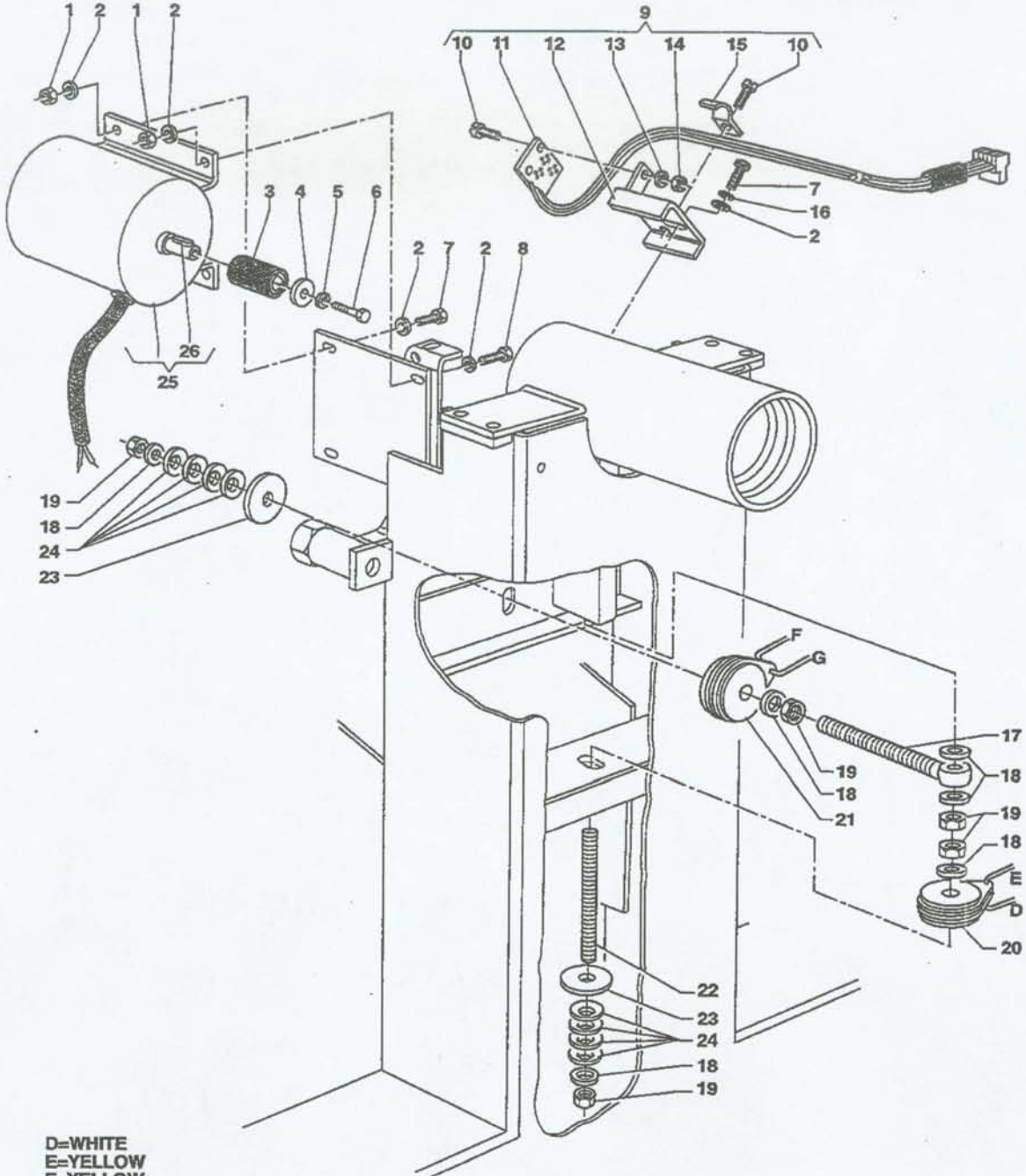
1



N.	CODE	DATA	N.	CODE	DATA	N.	CODE	DATA
1	42FM42698		11	348056025	*			
2	04FM38621		12	42FM43622				
3	323333040	*	13	114008002	*			
4	020620803	*	14	312120137	*			
5	42FM32440		15	325047011	*			
6	311220119	*	16	42FM45813				
7	325046010	*	17	344200118	*			
8	325035010	*	18	42FP41056				
9	040010101		19	181198630				
10	04FM40848		20	323333030	*			

D0125-2

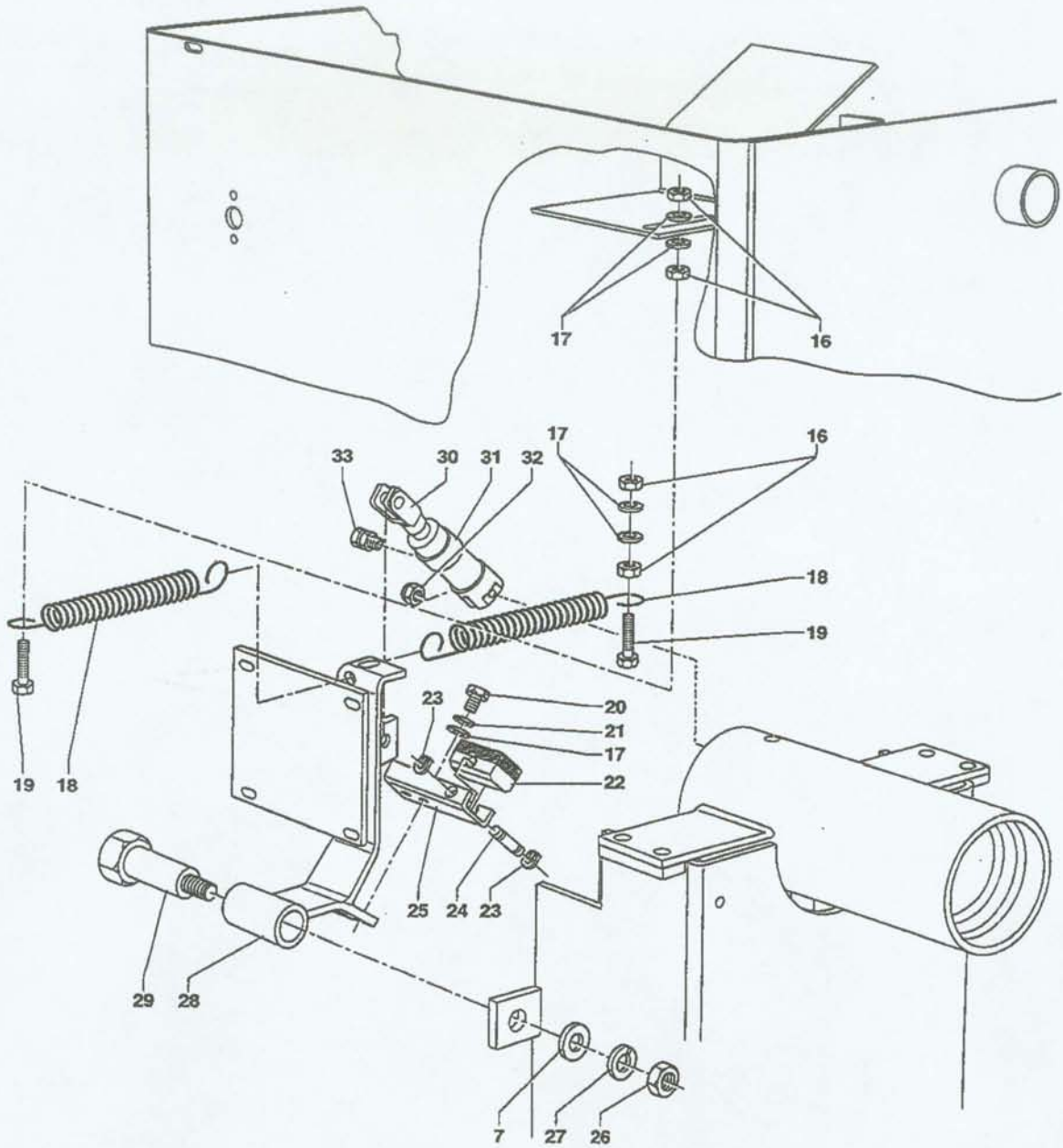
2



N.	CODE	DATA	N.	CODE	DATA	N.	CODE	DATA
1	321232006	*	11	67M38954M		21	940701233	
2	325035006	*	12	42SD39775		22	105110165	
3	07FG33406		13	325035003	*	23	326035011	*
4	42FG32429		14	321232003	*	24	345122515	*
5	325046004	*	15	420610639		25	501054293	230V/50-60 Hz
6	311120039	*	16	325046006	*	25	502054193	115V/50-60 Hz
7	311220071	*	17	105114744		26	348016015	*
8	311220073	*	18	325035010	*			
9	86SD44369		19	321212010	*			
10	314231018	*	20	940701232				

D0125-3

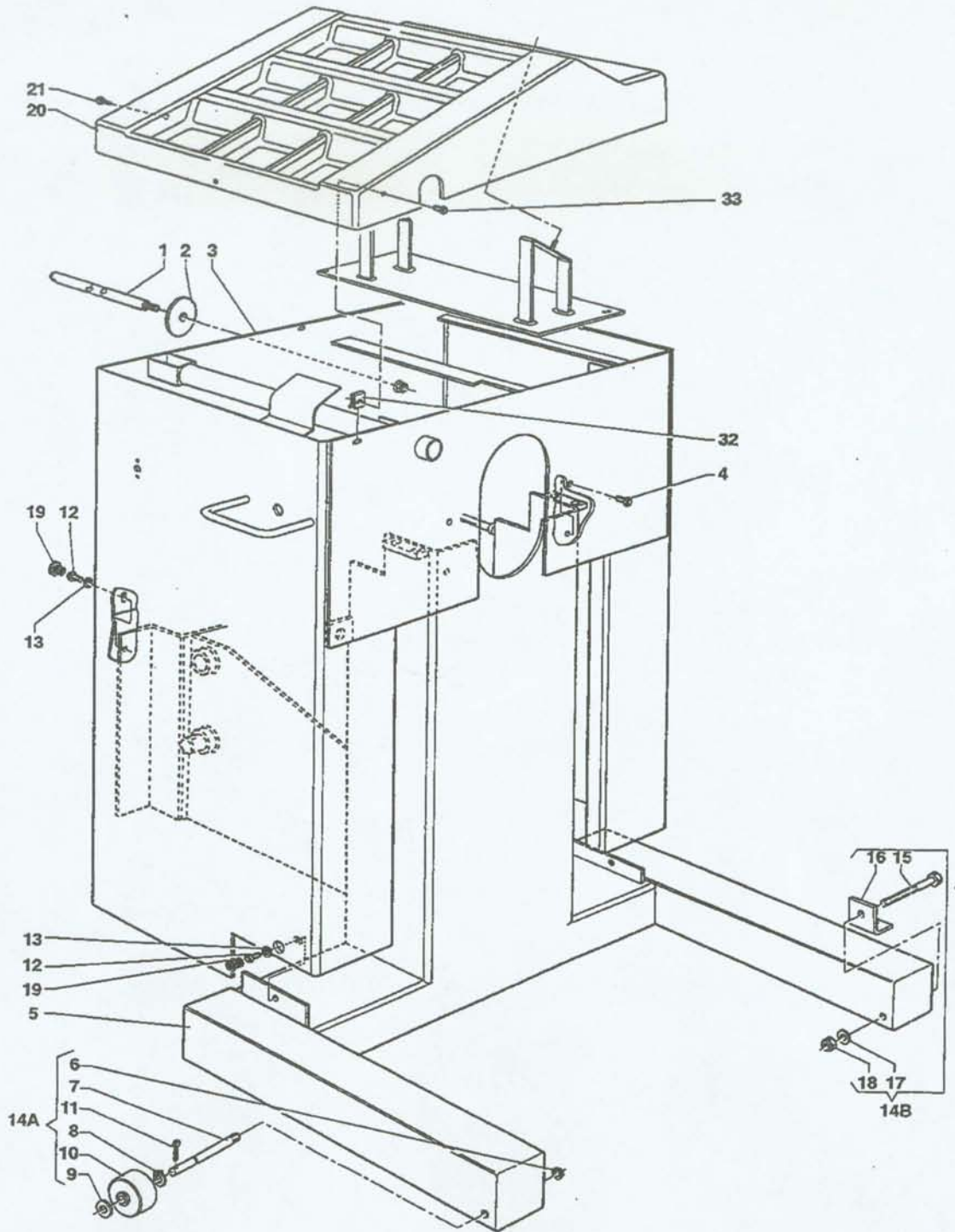
3



N.	CODE	DATA	N.	CODE	DATA	N.	CODE	DATA
7	325035012	*	25	42FB37117				
16	321232006	*	26	321232012	*			
17	325035006	*	27	325046012	*			
18	182185730		28	42FG37691				
19	311220073	*	29	42FG33402				
20	311220071	*	30	160000193	*			
21	325046006	*	31	161035030	*			
22	42FB37113		32	321233008	*			
23	341000006	*	33	172079492	*			
24	42FB37116							

D0147-4

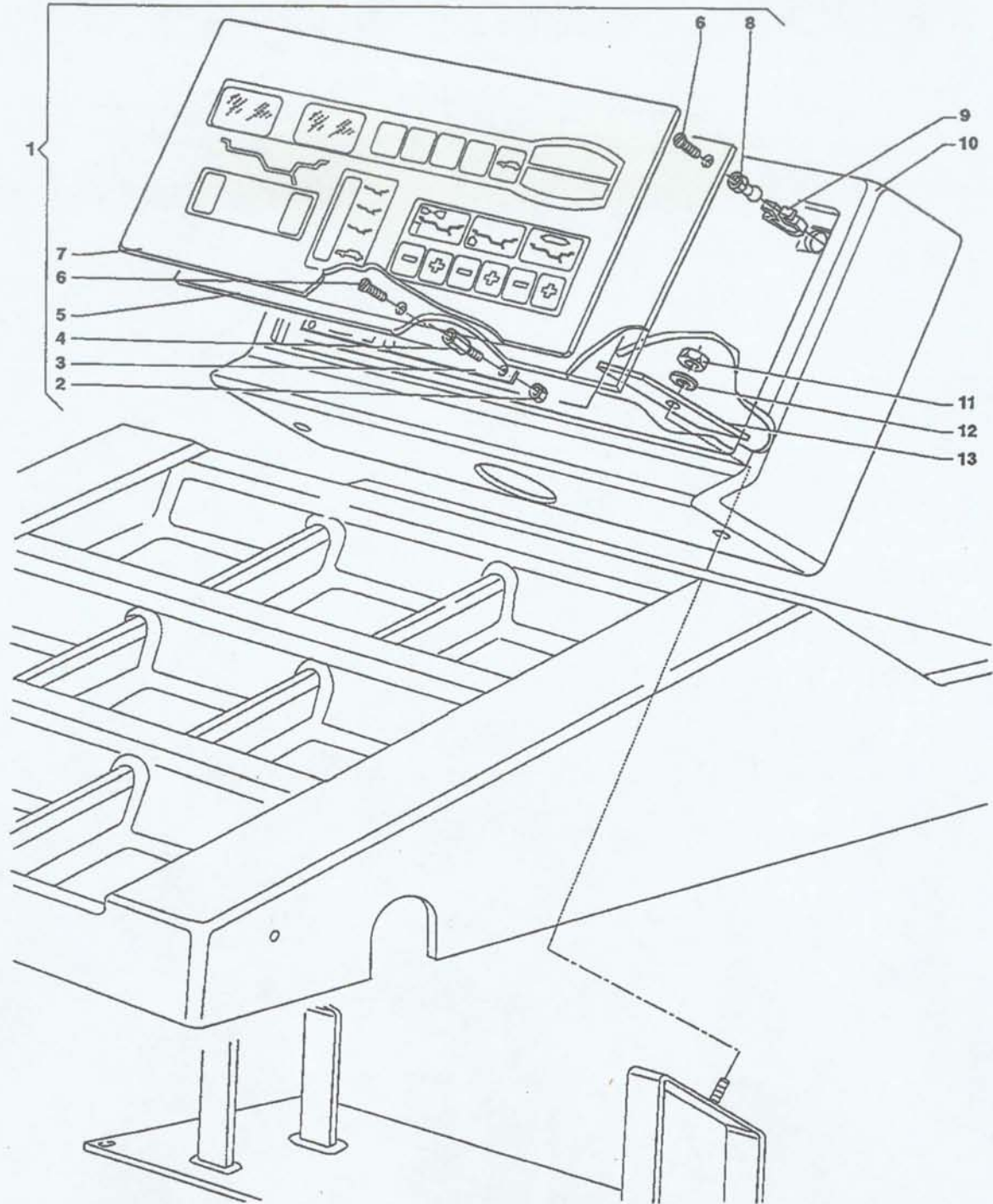
4



N.	CODE	DATA	N.	CODE	DATA	N.	CODE	DATA
1	105245420		10	152065123	*	18	321233010	*
2	140212960		11	337110010	*	19	213005623	*
3	42BV45222		12	317224068	*	20	14FB45223	
4	317224093	*	13	325035006	*	21	314931069	*
5	42BV45966		14A	46FB46704		22	42FB43112	
6	323333012	*	14B	46FB46703		23	14FB39696	
7	42FB45697	*	15	311120131	*	32	329007043	*
8	341000012	*	16	42FB41412	*	33	314931071	*
9	325035012	*	17	325035010	*			

D0147-5

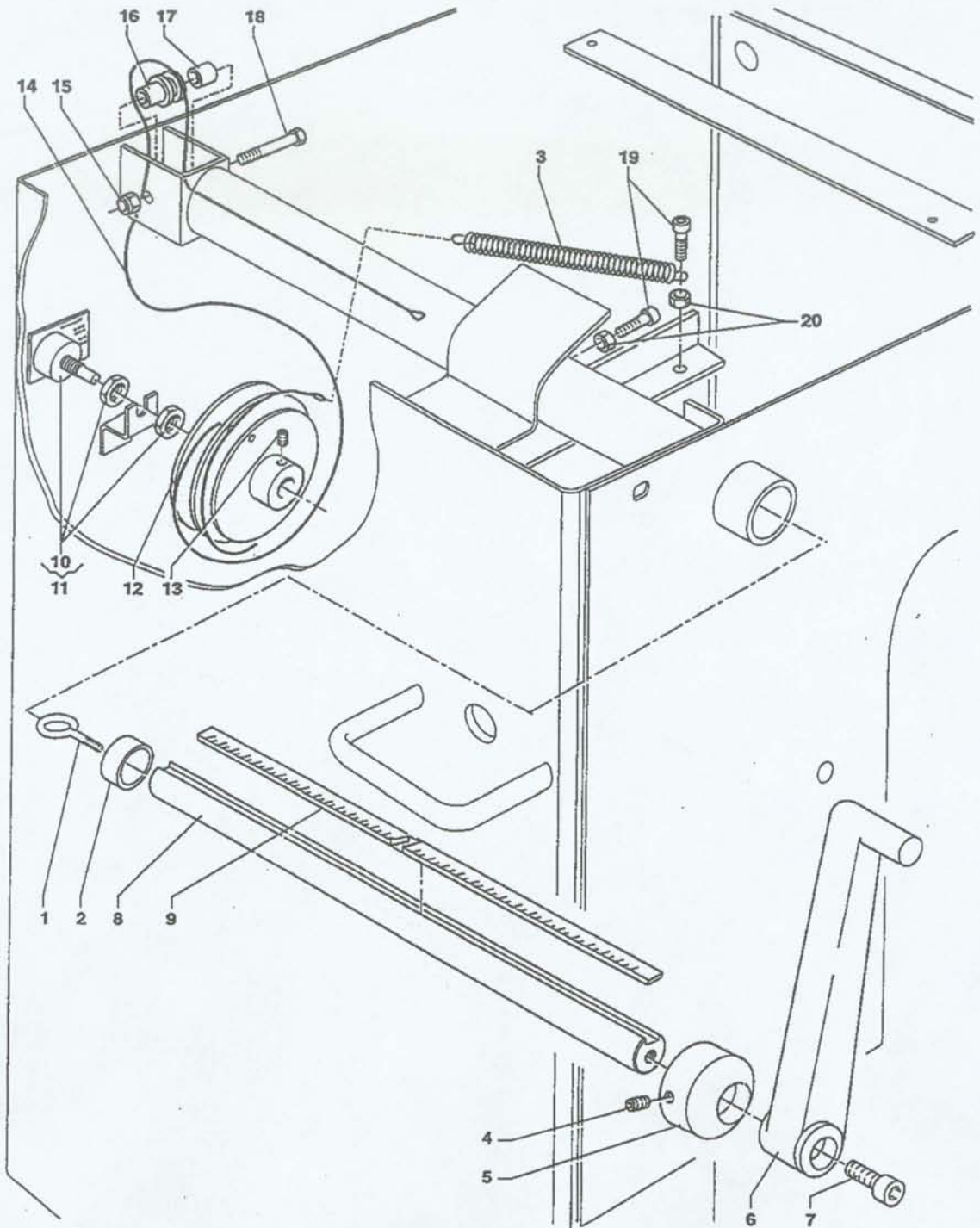
5



N.	CODE	DATA	N.	CODE	DATA	N.	CODE	DATA
1	86PR33822		11	321232006	*			
2	321232003	*	12	325046006	*			
3	86SC33821		13	42FB35204				
4	527034980	*						
5	052983102							
6	315231015	*						
7	05PR33399							
8	329007663	*						
9	329004434	*						
10	143296321							

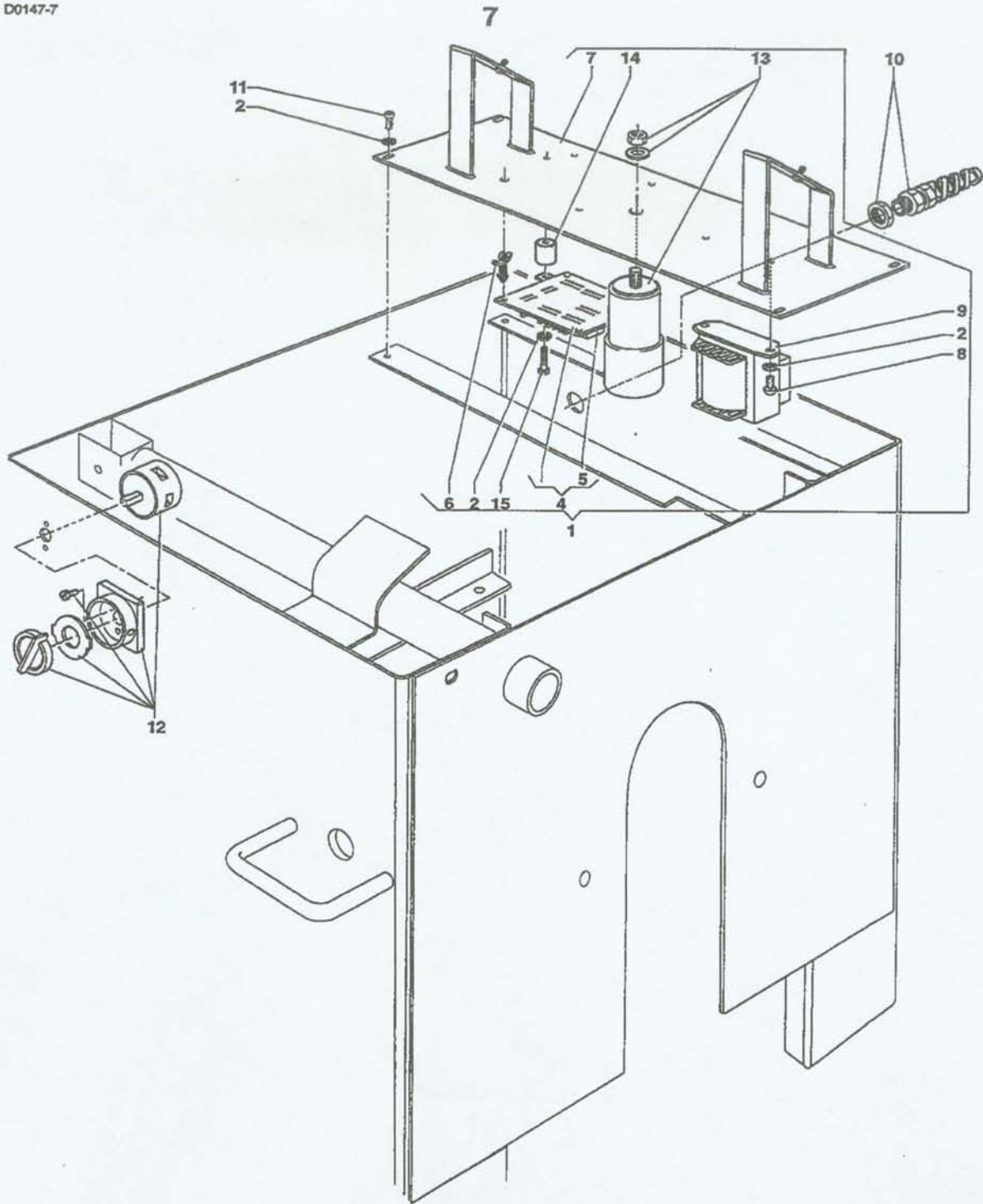
D0147-6

6



N.	CODE	DATA	N.	CODE	DATA	N.	CODE	DATA
1	105005030	*	11	86SB35583				
2	21FC32443		12	217025965				
3	182185750		13	319216034	*			
4	319216031	*	14	523000018				
5	940102388		15	321233006	*			
6	217027833		16	217021283				
7	312120071	*	17	420230157				
8	42FC32488		18	311120078	*			
9	040142902		19	312120034	*			
10	588020312		20	321232004	*			

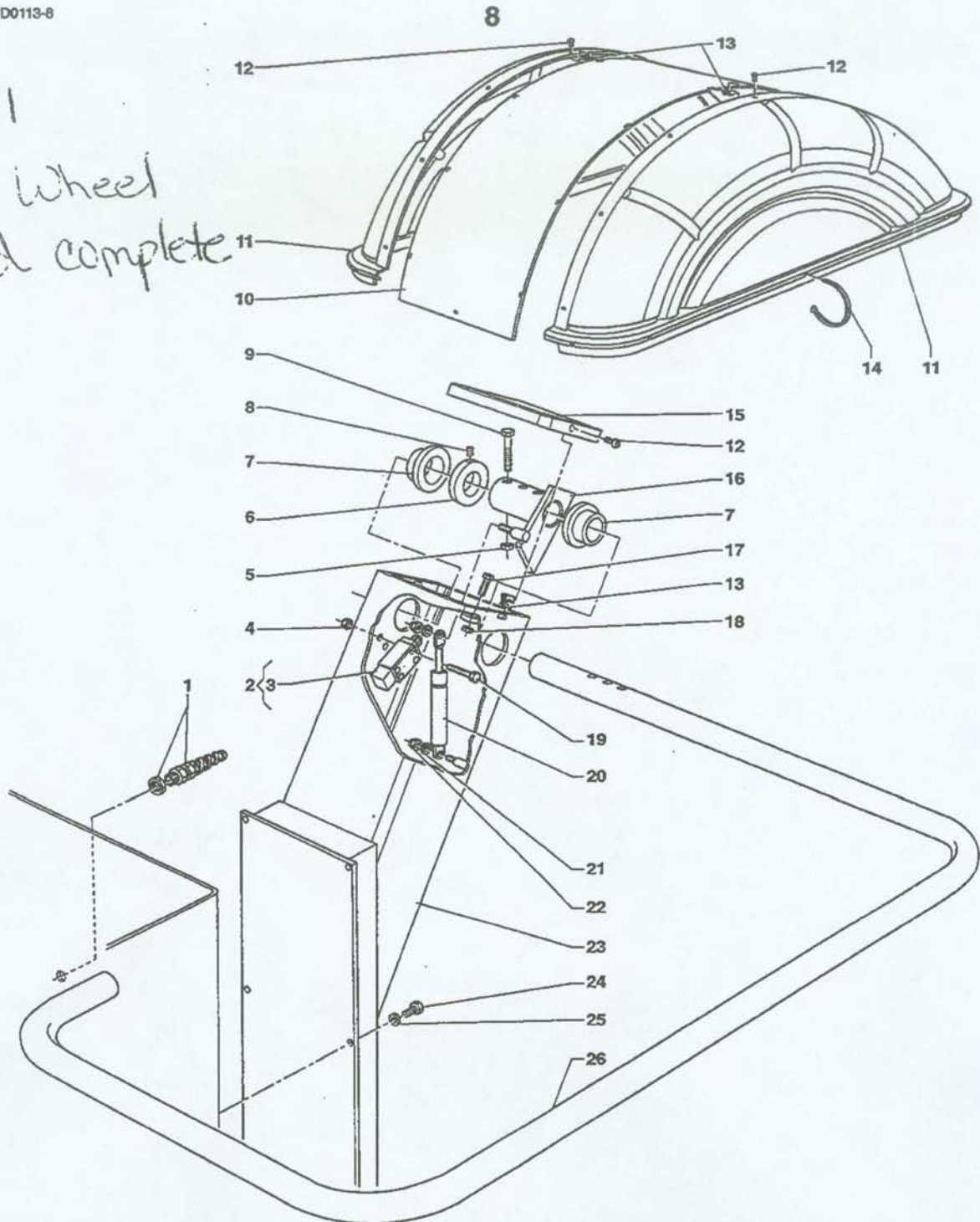
D0147-7



N.	CODE	DATA	N.	CODE	DATA	N.	CODE	DATA
1	86SZ45288	230V	10	526003246	*			
1	86SZ45289	115V	11	314931069	*			
2	325035004	*	12	511231002				
4	86SC33823		13	568001458	14MF (230V)			
5	681002000	*	13	568003558	35MF (115V)			
6	527006175	*	14	420627865				
7	42SZ45284		15	314231040	*			
8	317232034	*						
9	611000308	30VA (230V)						
9	611000307	30VA (115V)						

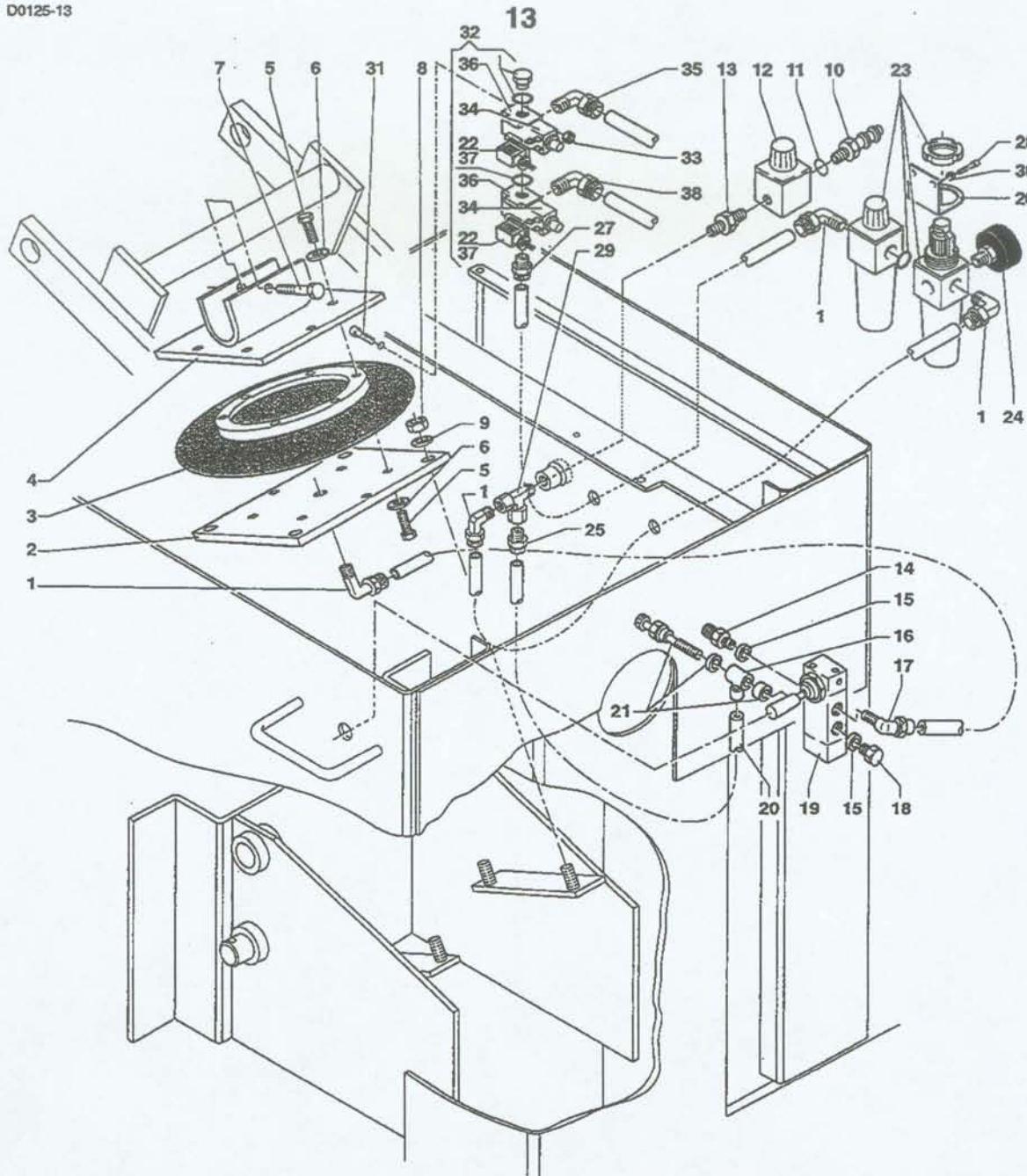
D0113-8

C-211
Need Wheel
Guard complete



N.	CODE	DATA	N.	CODE	DATA	N.	CODE	DATA
1	526003237	*	11	14FW31322		21	325035008	*
2	86SB33997		12	317232034	*	22	321233008	*
3	517140515		13	329007043	*	23	42FW33446	
4	321232004	*	14	523031916	*	24	312120070	*
5	321212010	*	15	14FW33850		25	325035006	*
6	42FW31326		16	42FW33448		26	42FW38517	
7	21FW31325		17	311220095	*			
8	319216068	*	18	321232008	*			
9	311120128	*	19	311120042	*			
10	14FW38518		20	18FW31346	*			

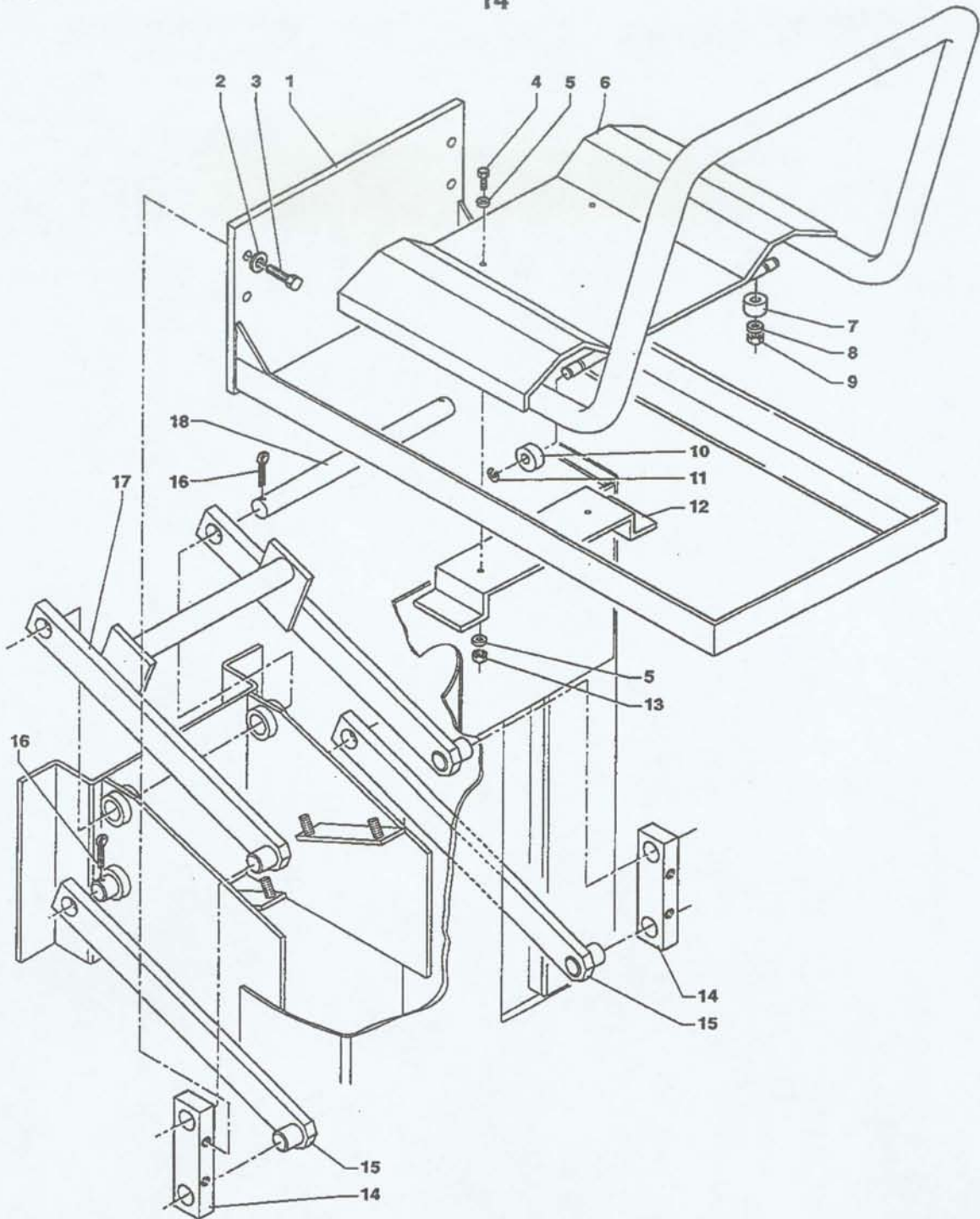
D0125-13



N.	CODE	DATA	N.	CODE	DATA	N.	CODE	DATA
1	172082894	*	15	170001309	*	28	312120034	*
2	420228104		16	172080592	*	29	171002070	*
3	161900110	*	17	172082892	*	30	325035004	*
4	42FL33902		18	170001310	*	31	314232018	*
5	311120093	*	19	162368905	55702*	32	16SP33941	230V/50-60 Hz
6	325035008	*	20	179004006	*	32	16SP33942	115V/50-60 Hz
7	311120100	*	21	163007040	*	33	321232003	*
8	321232010	*	22	165000026	230V	34	160007221	230V/50-60 Hz
9	325035010	*	22	165000014	115V	34	160007222	115V/50-60 Hz
10	173010901	*	23	164000010	*	35	172082893	*
11	170001408	*	24	164004200	*	36	165051024	*
12	164000014	*	25	172079494	*	37	160110200	*
13	174000201	*	26	160014900	*			
14	163025062	*	27	172079492	*			

D0113-14

14



N.	CODE	DATA	N.	CODE	DATA	N.	CODE	DATA
1	42FL32466		11	341000012	*			
2	325035012	*	12	420224163				
3	311120147	*	13	321232006	*			
4	311220071	*	14	42FL33900				
5	325035006	*	15	42FL33901				
6	420228001		16	337110025	*			
7	420424165		17	42FL33904				
8	325035008	*	18	420419938				
9	321232008	*						
10	217024160							